

PARTS LIST

REF	QTY	PART DESCRIPTION
A	(2)	4'3"L x 3" SQ poles with a 7" SQ base plate
B	(2)	Pole Caps
C	(4)	Collars with Eye bolts
HARDWARE BAG:		
D	(2)	TB 6" Turnbuckle
E	(4)	Cable Clamp
F	(1)	1/8" Cable, 50'
G	(100)	14" TR-120XL Tie Raps
H	(1)	Lacing Cord, 500' Spool

CUSTOM DIVIDER MATERIAL:

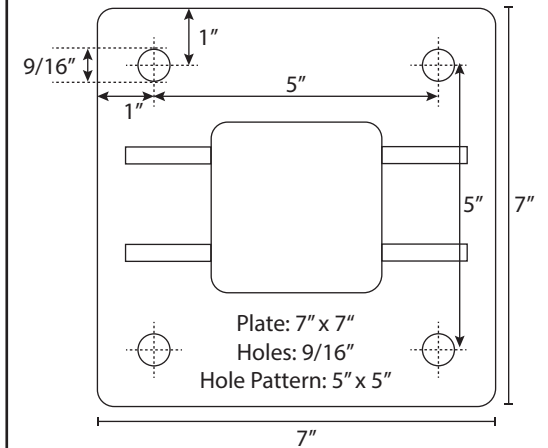
J	(1)	INDOOR - VCP Windscreen Panel OUTDOOR - Pylon #420 1-1/2" SQ Mesh Netting
---	-----	--

OPTIONAL:

I	(2)	Black Pole Pads with Velcro Straps
---	-----	------------------------------------

INSTRUCTIONS

1. Use 1/2" Bolts (not included) to secure posts to the court surface. Bolts should be a minimum of 2-3/4" long. Post spacing is custom and can be spaced up to 40' apart; The posts should always be spaced 4" wider than your Net/VCP length. Example: 30' long Net/VCP panel would require posts spaced 30' 4" wide, inside-to-inside. **NOTE: Do not drill holes in advance**
2. Tighten the eye bolts to secure the collars on the posts. Then, secure the caps to the tops of the posts.
3. Lay out the cable between the posts and cut to the desired length. Leave enough extra cable to create finishing loops with cable clamps.
4. At one cable end, create a loop and secure it by loosely tightening one cable clamp. Do not over tighten so this can be re-opened to attach to eye bolts.
5. Pull the cable loop through the divider panel headband by using the guy wire that's in the headband pocket.
6. Release the cable clamp and open the loop back up. Thread the loop through the pole eye bolt, then re-secure the cable clamp tightly.
7. At the opposite post, thread the cable through the turnbuckle eye, create a loop and secure it with the other cable clamp. Attach the turnbuckle jaw to the pole eye bolt. Tighten the turnbuckle so the cable is taught between the two poles.
8. Finish securing the divider panel at each end by looping tie wraps to each grommet, wrapping around the post, or lacing the panel to the pole with the provided cord. Optionally, the cord can be weaved through the bottom grommets and attached at each end to secure the bottom of the panel. If using the optional padding, leave at least an inch of space between the pole and the divider panel.
9. OPTIONAL Pole Pads: Wrap the pole pad around the pole and secure it with the sewn-in Velcro straps.



SUGGESTED TOOLS (NOT PROVIDED)

- (8) 1/2" Eye Bolts
- Scissors
- Wire Cutters
- Wrench