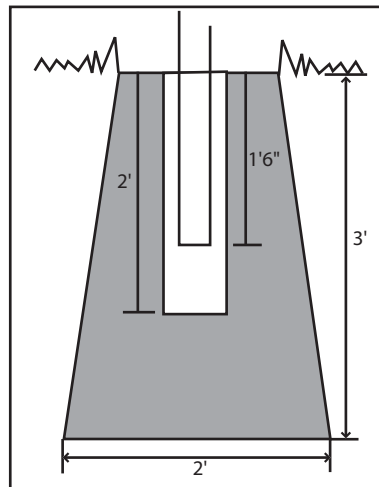
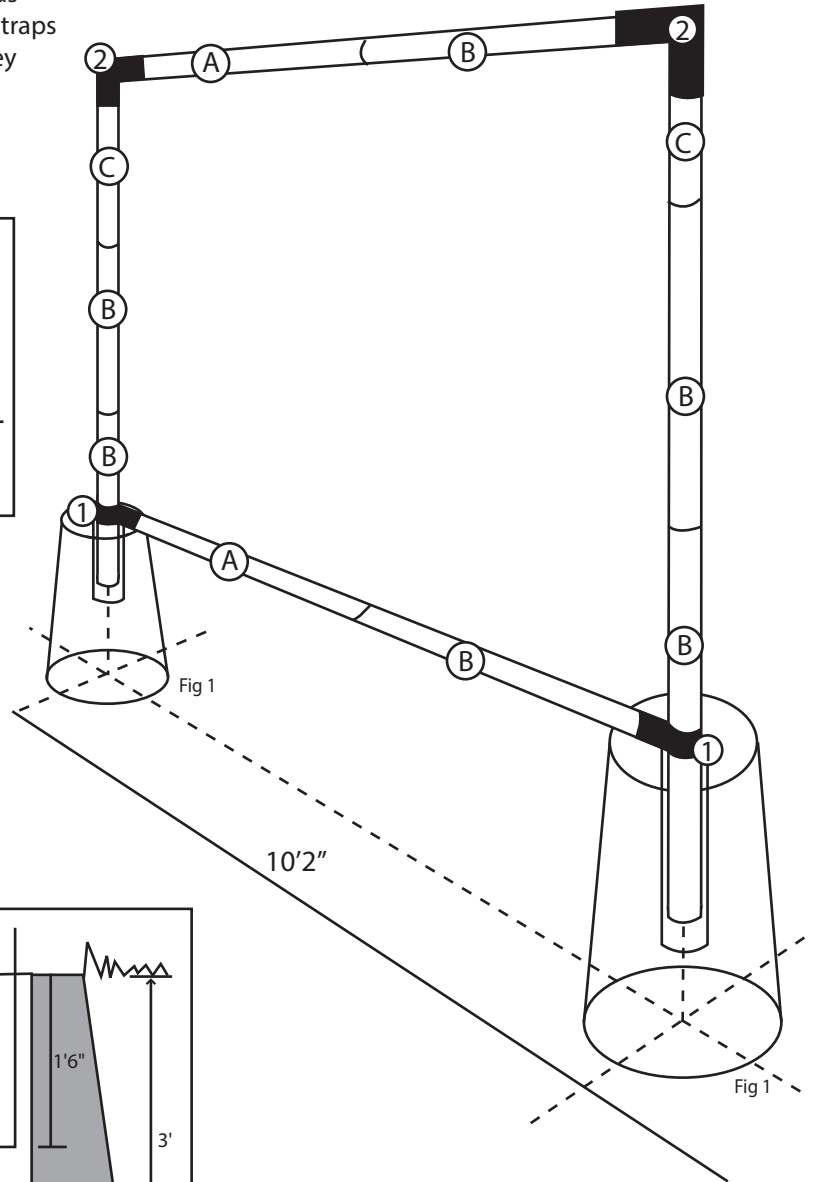
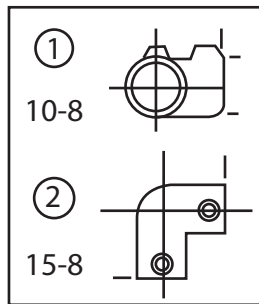
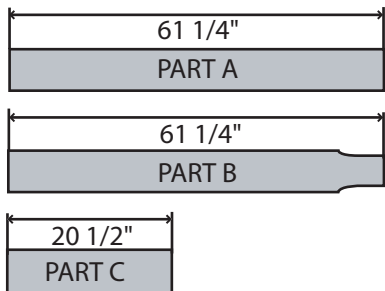


### PARTS LIST

Reference	Qty	Description	Qty	Description
A	(2)	61-1/4" Tube	(1)	Vinyl Skirt
B	(6)	61-1/4" Tube with Swag	(6)	Ty-raps
C	(2)	20-1/2" Tube	(20)	Bungee Cords
1	(2)	10-8 Kee Klamp	(10)	Adjustable Straps
2	(2)	15-8 Kee Klamp	(1)	Set Screw Key
	(2)	2" i.d. PVC Sleeves		
	(1)	Rebound Net		



1. Sink the PVC sleeves to a depth of 2' in concrete at least 3' deep, as shown in the illustration.

2. Assemble the bottom bar over the holes as a guide. Lift off, lay down, and finish assembly of the frame on the ground. Use a set screw key to secure poles in fittings. Ensure the entire frame is assembled before installing the netting.

3. To install netting, hook and fasten bungee cords evenly along the sides and top of the frame. Evenly space and tighten down the (10) adjustable straps along the bottom of the netting.

4. Attach the vinyl skirt at the bottom using ty-raps—thread white webbing into the netting at the desired height to simulate the net height.