

PARTS LIST

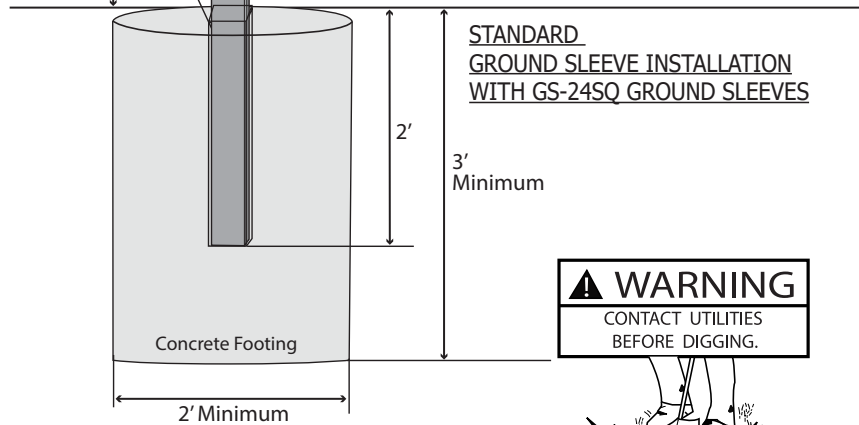
Ref.	Qty	Description
A	(2)	4" Square Poles -10'6" Long
B	(2)	Reels and Hardware
C	(2)	Reel Brackets with Bolts
D	(2)	Pulley Attachments
E	(2)	Eye bolts Attachments
F	(2)	Pole Caps
G	(1)	VB-1200 Volleyball Net, 36"H x 32'L Lacing Cord (included with net)

RECOMMENDED TOOLS

- Level
- Ladder or Step Stool
- Concrete
- Shovel
- 1/4" Allen Wrench (Included with Reel)
- 9/16" Wrench
- Measuring Tape

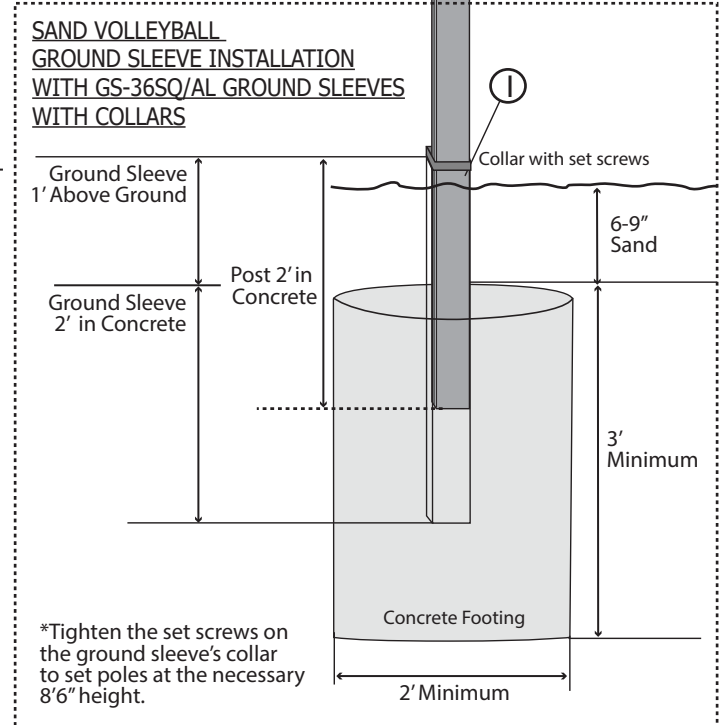
SOLD SEPARATELY (Recommended but optional)

H	(1)	Pair of 24" SQ Ground Sleeves (#65280) (GS-24SQ)
I	(1)	Pair of 36" SQ Ground Sleeves w/ collars (#65270) (GS-36SQ/AL)



STANDARD GROUND SLEEVE INSTALLATION WITH GS-24SQ GROUND SLEEVES

WARNING
CONTACT UTILITIES BEFORE DIGGING.



SAND VOLLEYBALL GROUND SLEEVE INSTALLATION WITH GS-36SQ/AL GROUND SLEEVES WITH COLLARS

Ground Sleeve 1' Above Ground

Collar with set screws

6-9" Sand

Post 2' in Concrete

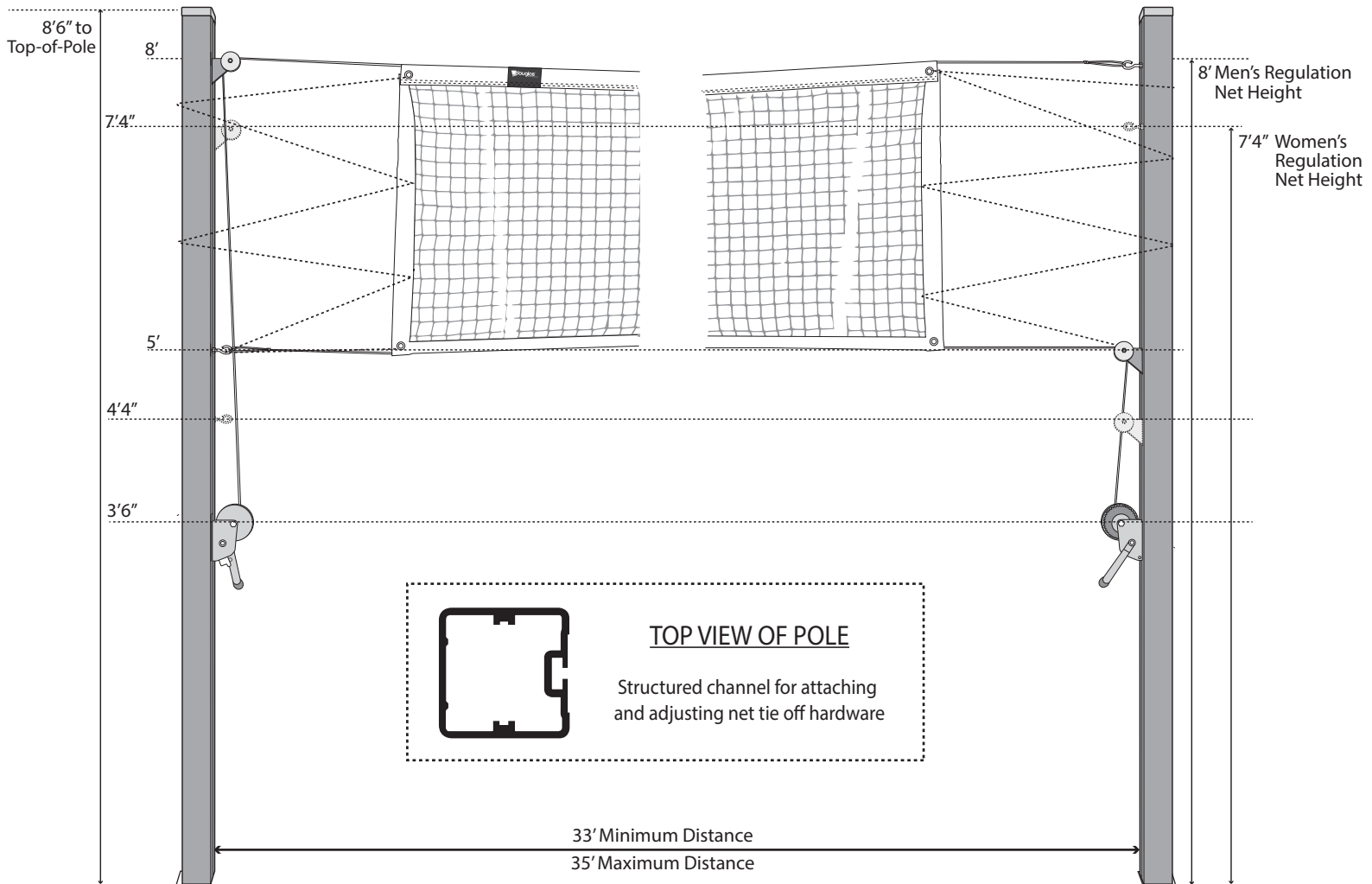
Ground Sleeve 2' in Concrete

3' Minimum

Concrete Footing

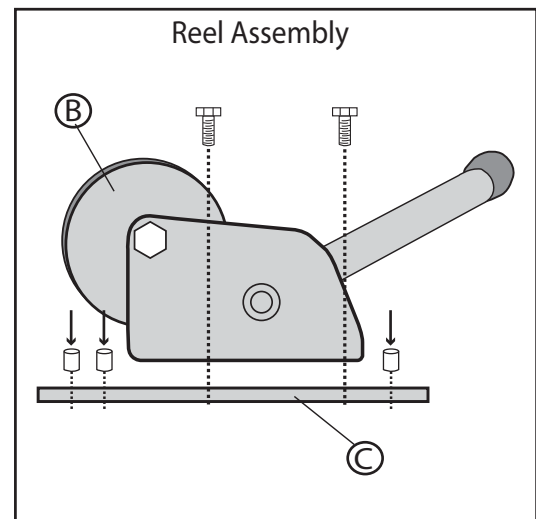
2' Minimum

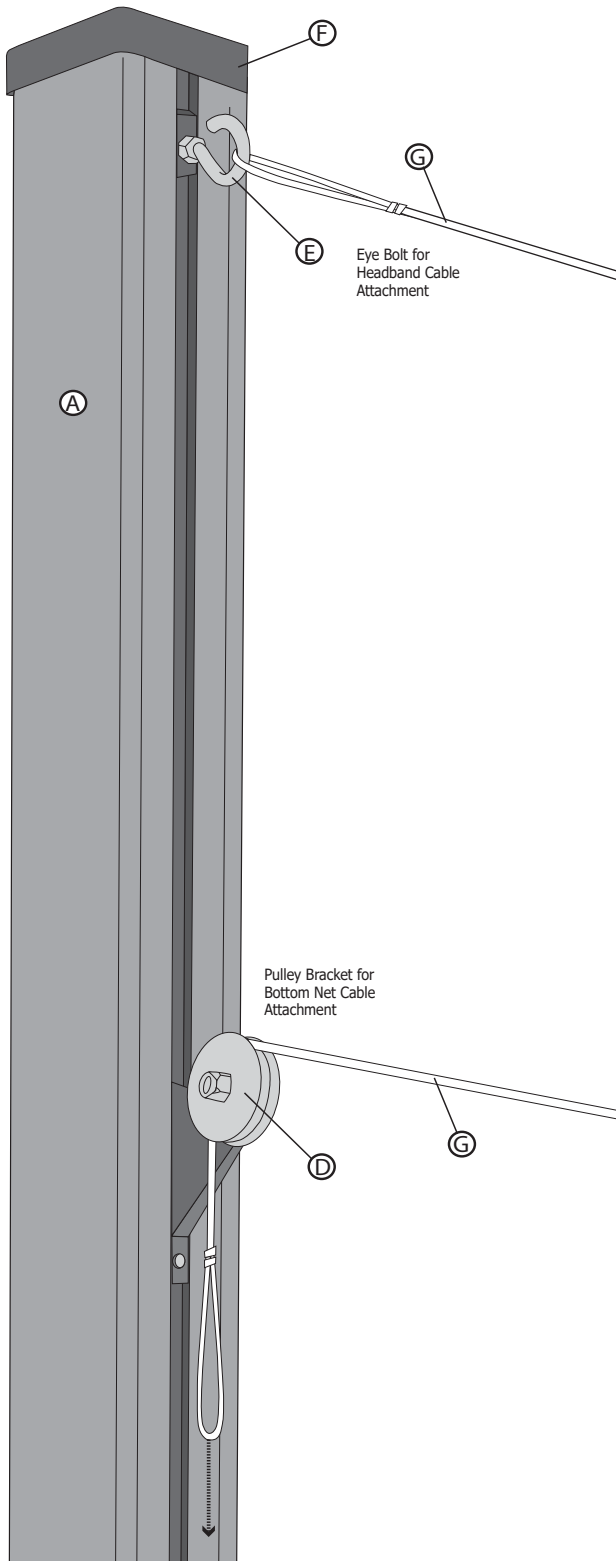
*Tighten the set screws on the ground sleeve's collar to set poles at the necessary 8'6" height.



POLE INSTALLATION

1. The poles should be sunk to the depths shown in the illustration on page 1, with concrete 12" below the end of the pole. The maximum recommended pole spacing is 35' apart. The optional ground sleeves are recommended. Concrete installation varies depending on your area's soil condition.
2. Assemble the reels to the reel brackets with the provided bolts. For this you will need a 9/16" wrench.
3. On each post, slide a reel assembly, eye bolt bracket, and a pulley bracket in the post's channel according to the illustration. Ensure that the reels gears and pulley are inserted correctly and are at the top of the brackets.
4. Secure collars with reels according to your desired volleyball height. For this you will need a 1/4" Allen wrench (provided) and a ladder.
5. To secure the reel assembly in the channel use the 1/4" Allen wrench to tighten the (3) set screws. Two set screws are above the reel and one is below.
6. To set the pulley brackets in place use the 1/4" Allen wrench to tighten the set screw found just below the pulley.
7. Tighten the eye bolt assembly by turning the eye bolt nut.
8. If you plan on adjusting the net between heights, tighten the brackets just enough to set in place. Over-tightening will make it difficult to reset the brackets.
9. Secure the handle to the reel and place caps on the tops of the poles.





NET INSTALLATION

1. Ensure that your brackets are set at the desired height for either 7'4" or 8'. You will need a ladder or step stool to install the volleyball net.
2. Attach one headband cable loop to the post with the top eye bolt collar set at 7'4" or 8'.
3. On the post with the top pulley collar, run the cable loop over and down through the pulley.
4. Continue pulling the net cable loop down to the hook on the reel. Turn the reel handle clockwise and begin cranking until the net is taught between the posts.
5. Now, follow the same steps for the bottom cable. Attach one end of the net to the post with the lower eye bolt collar. On the other post, run the cable loop over and down through the pulley.
6. Continue pulling the net cable loop down to the hook on the reel. Turn the reel handle clockwise and begin cranking until the net is taught between the posts.
7. Use the provided lacing cord to secure sides of net to the post.

