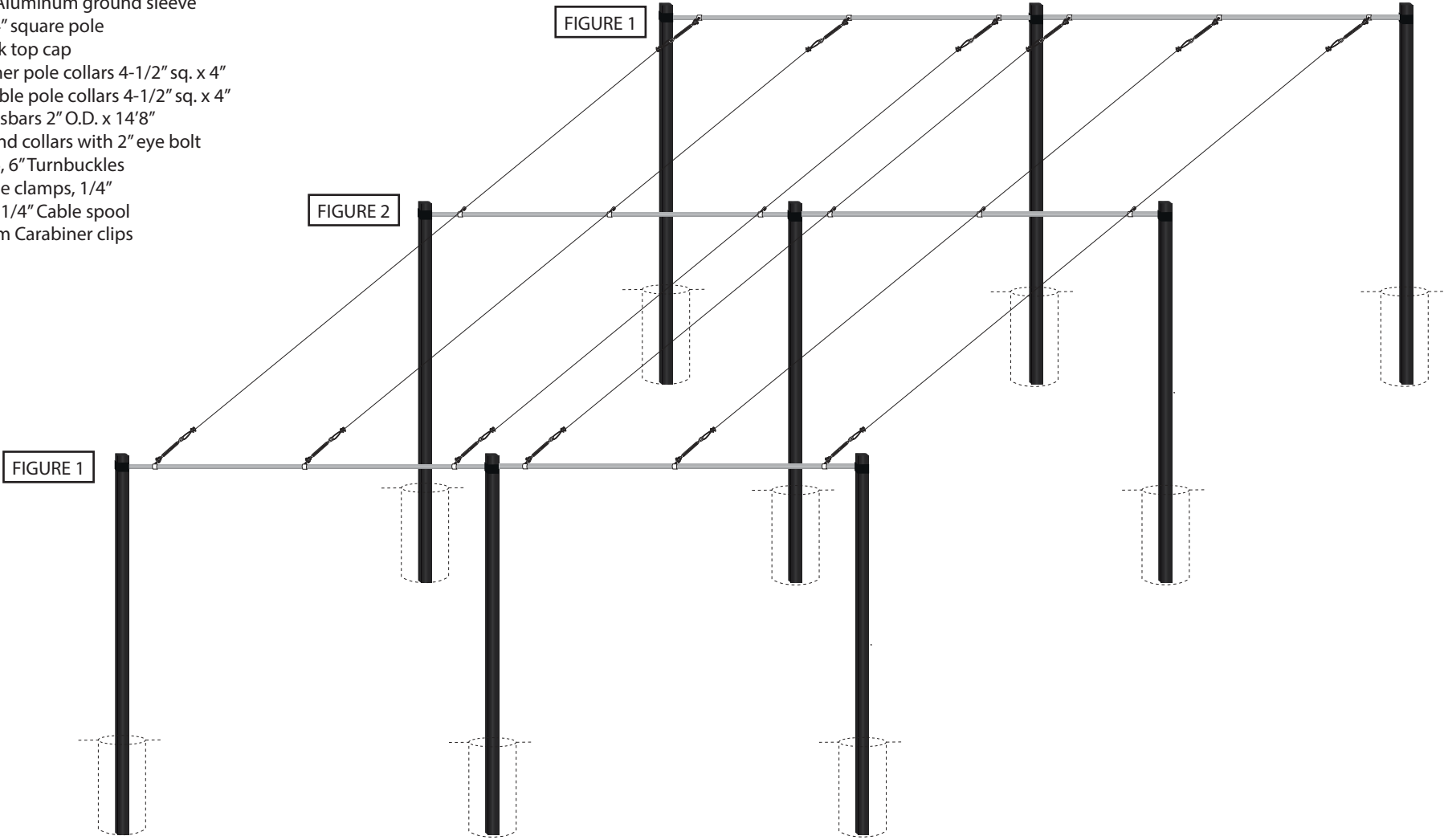


PARTS LIST:

UNITS	REF #	DESCRIPTION
9	1	Poles, 4" square steel x 14'
9	2	24" Aluminum ground sleeve for 4" square pole
9	3	Black top cap
4	4	Corner pole collars 4-1/2" sq. x 4"
3	5	Double pole collars 4-1/2" sq. x 4"
6	7	Crossbars 2" O.D. x 14'8"
18	8	Round collars with 2" eye bolt
12	9	TB-6, 6" Turnbuckles
24	10	Cable clamps, 1/4"
2	11	300' 1/4" Cable spool
200		8 mm Carabiner clips



POST LAYOUT/SPACING:

Post spacing for the width should be 15' (center-to-center of poles).

For the length, add 5' to the net length (usually 55', 70' or 75' – so posts would be 60', 75' or 80').

HARDWARE & NET INSTALLATION:

1. The (6) long cables should be cut 5' longer than the post spacing to allow for making loops.
2. Install the hardware as shown in the main layout diagram and Figures 2 & 3.
3. Unroll the nets and lay on the ground inside the frame, locate the top border ropes.
4. Starting at one corner attach the top ropes of the net to the cables with carabiner clips, spaced every 3' per Figure 4.
5. Repeat for the other net.

FIGURE 1

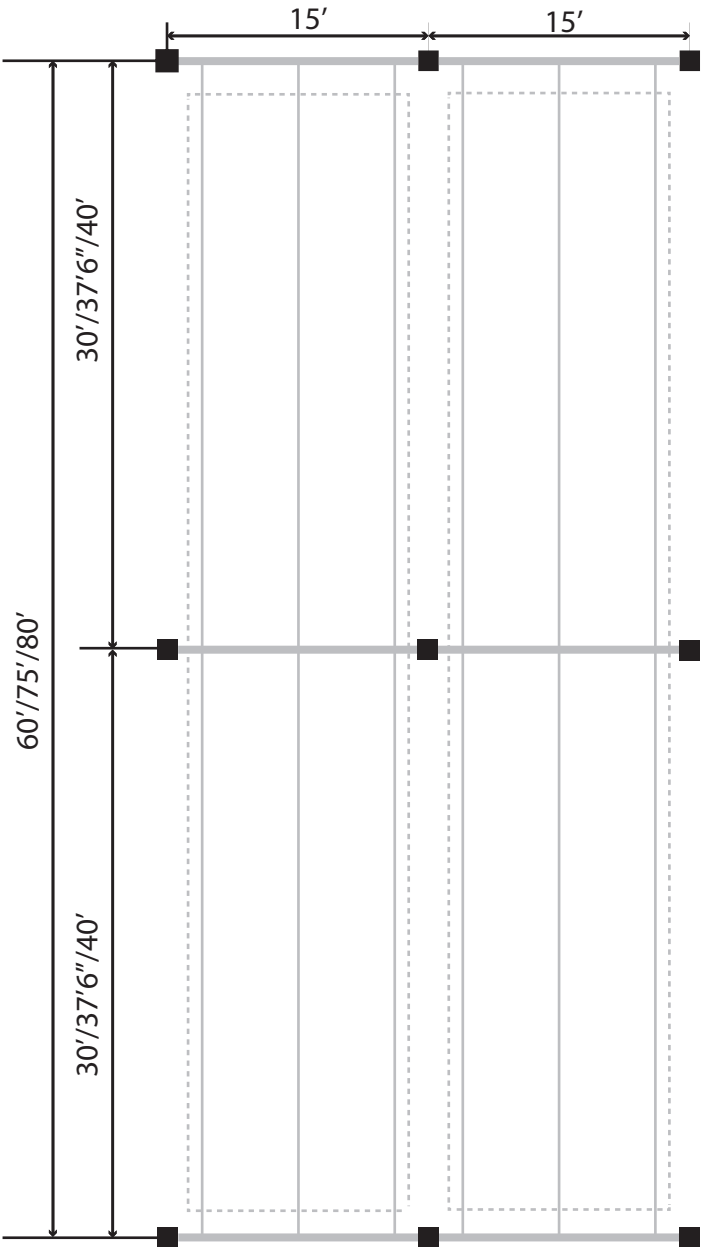


FIGURE 2 - END SECTIONS
NOT TO SCALE

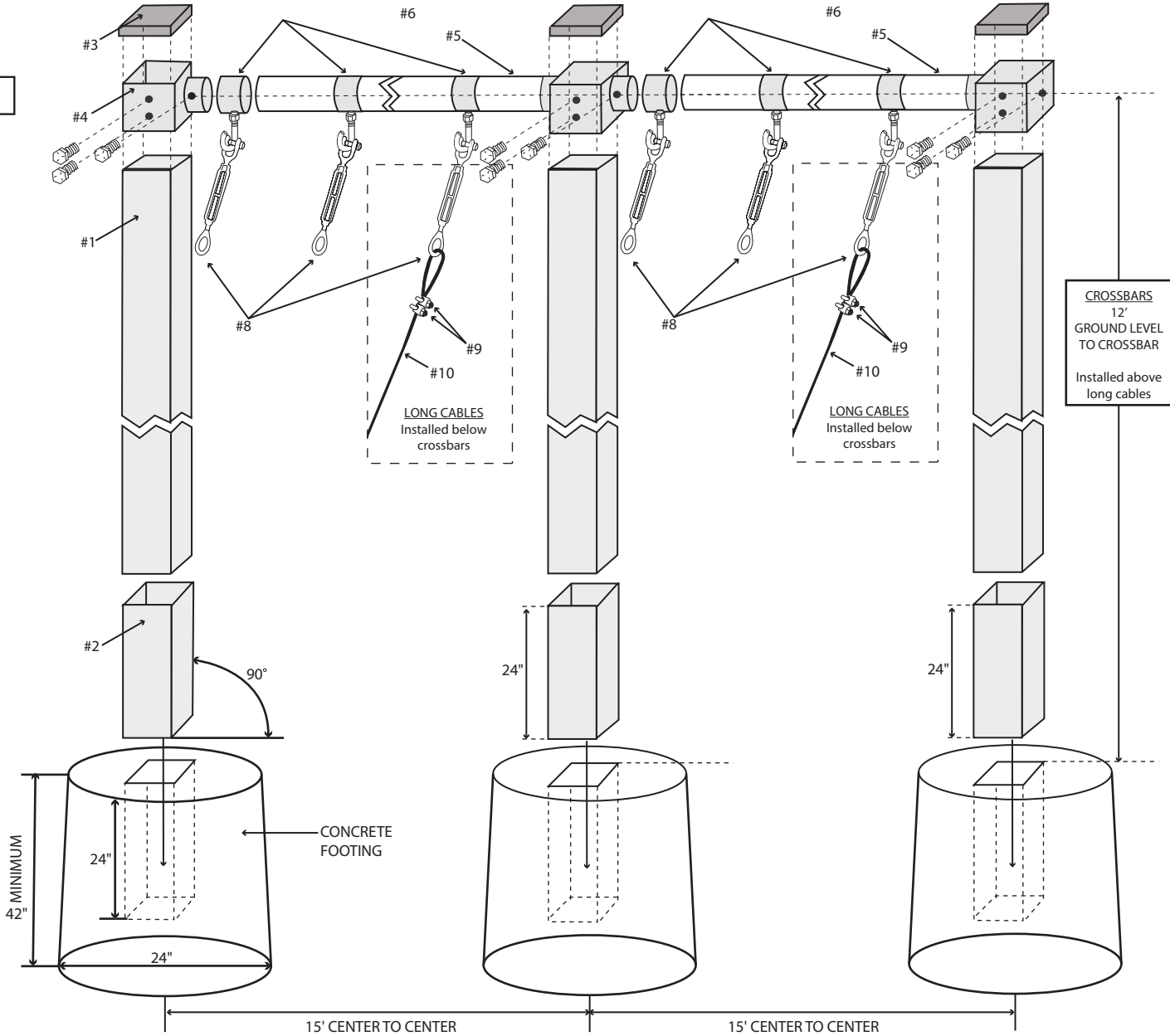


FIGURE 3 - MIDDLE SECTION

NOT TO SCALE

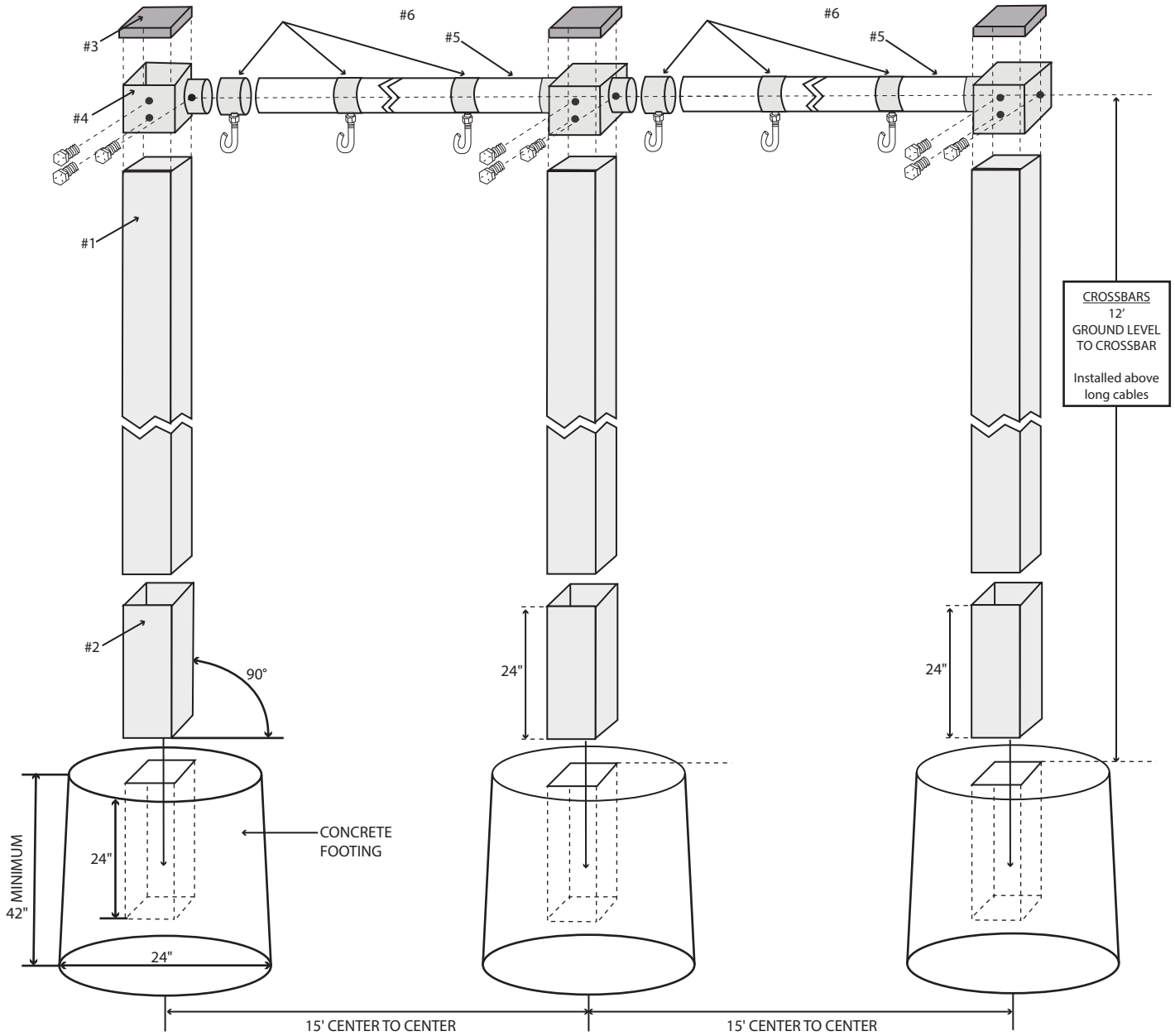


FIGURE 4 - TUNNEL ATTACHMENT WITH LONG CABLES

