



In-line Net System 3.5 Steel for D-Pro™ MAX Basketball

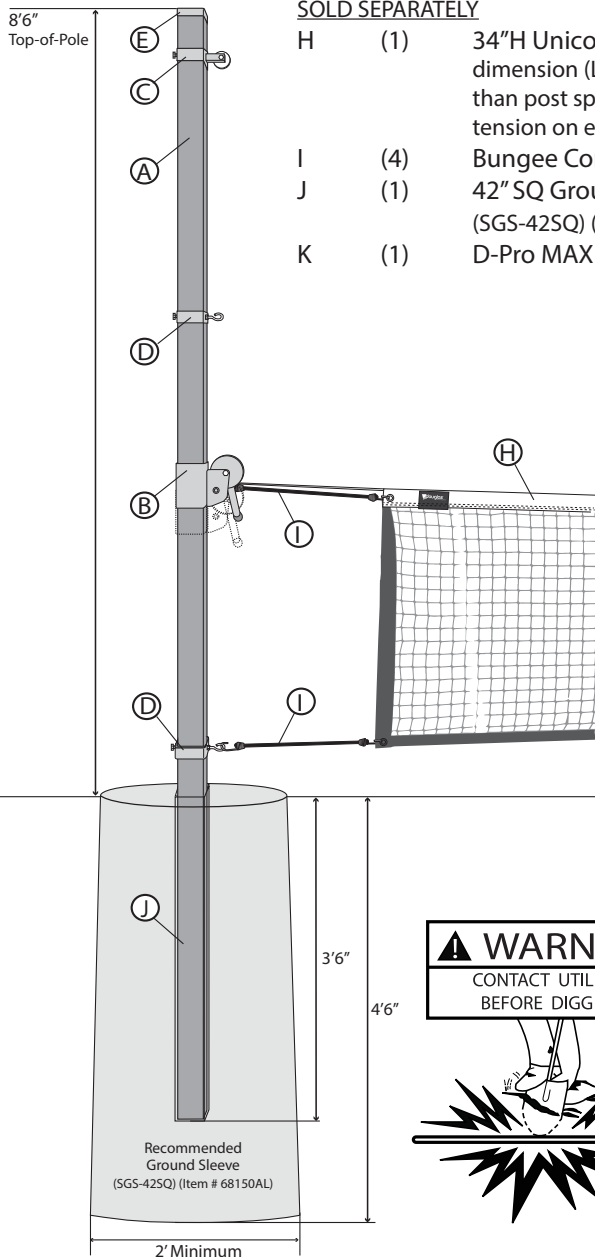
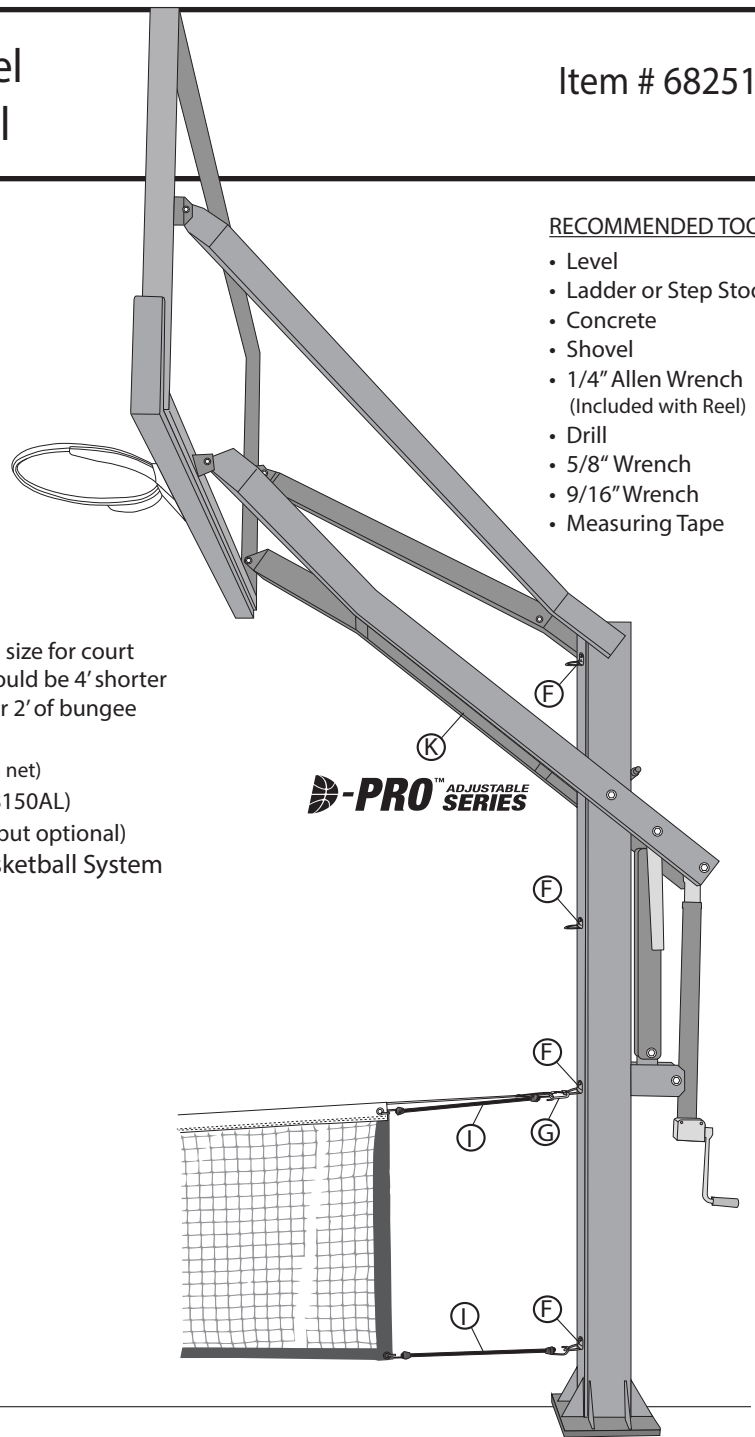
Item # 68251C

PARTS LIST

Reference	Qty	Description
A	(1)	3.5" Square Poles -12' Long
B	(1)	Collar with Reel and Hardware
C	(1)	Collar with Pulley
D	(2)	Collars with Eye bolt
E	(1)	Pole Cap
F	(4)	D-Ring Tie Downs with 1/4" screws
G	(1)	Black Steel C-Snap

RECOMMENDED TOOLS

- Level
- Ladder or Step Stool
- Concrete
- Shovel
- 1/4" Allen Wrench (Included with Reel)
- Drill
- 5/8" Wrench
- 9/16" Wrench
- Measuring Tape

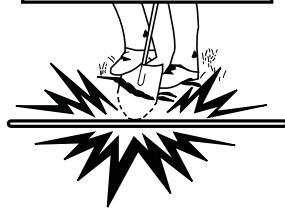


SOLD SEPARATELY

H	(1)	34"H Unicourt Net, custom size for court dimension (Length of net should be 4' shorter than post spacing to allow for 2' of bungee tension on each side.)
I	(4)	Bungee Cords (included with net)
J	(1)	42" SQ Ground Sleeve (#68150AL) (SGS-42SQ) (Recommended but optional)
K	(1)	D-Pro MAX Adjustable Basketball System

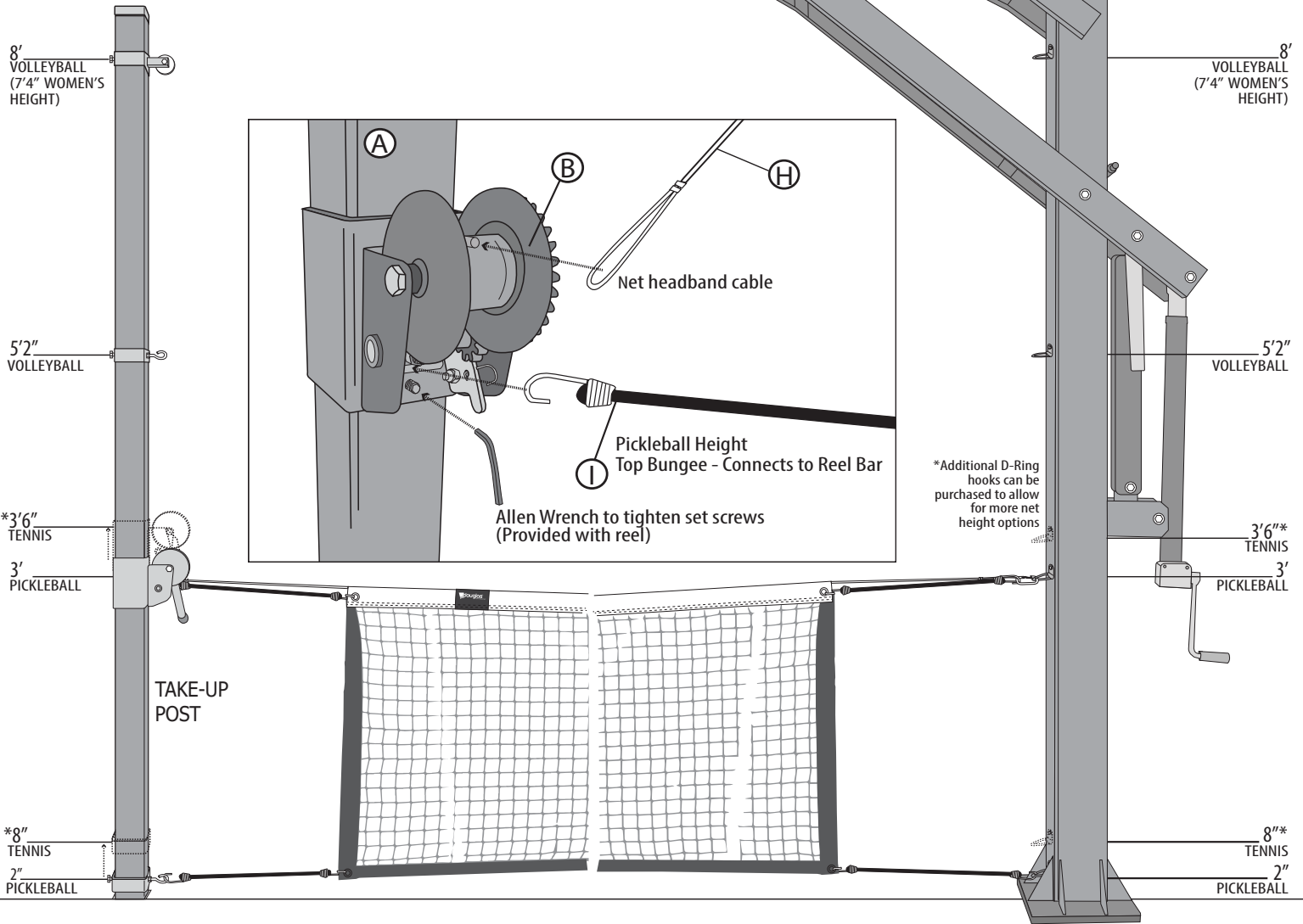
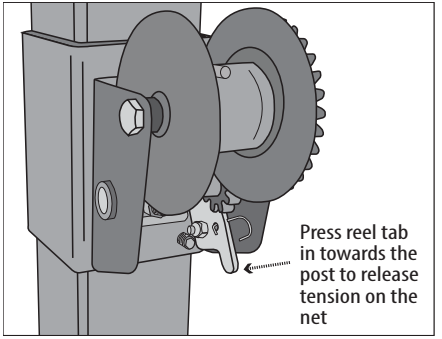
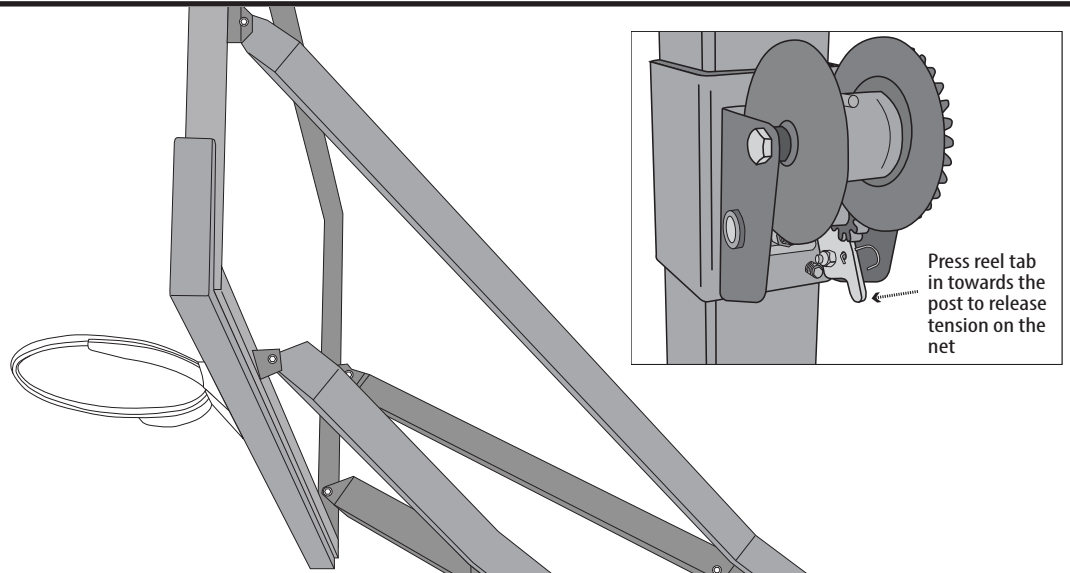
POLE INSTALLATION

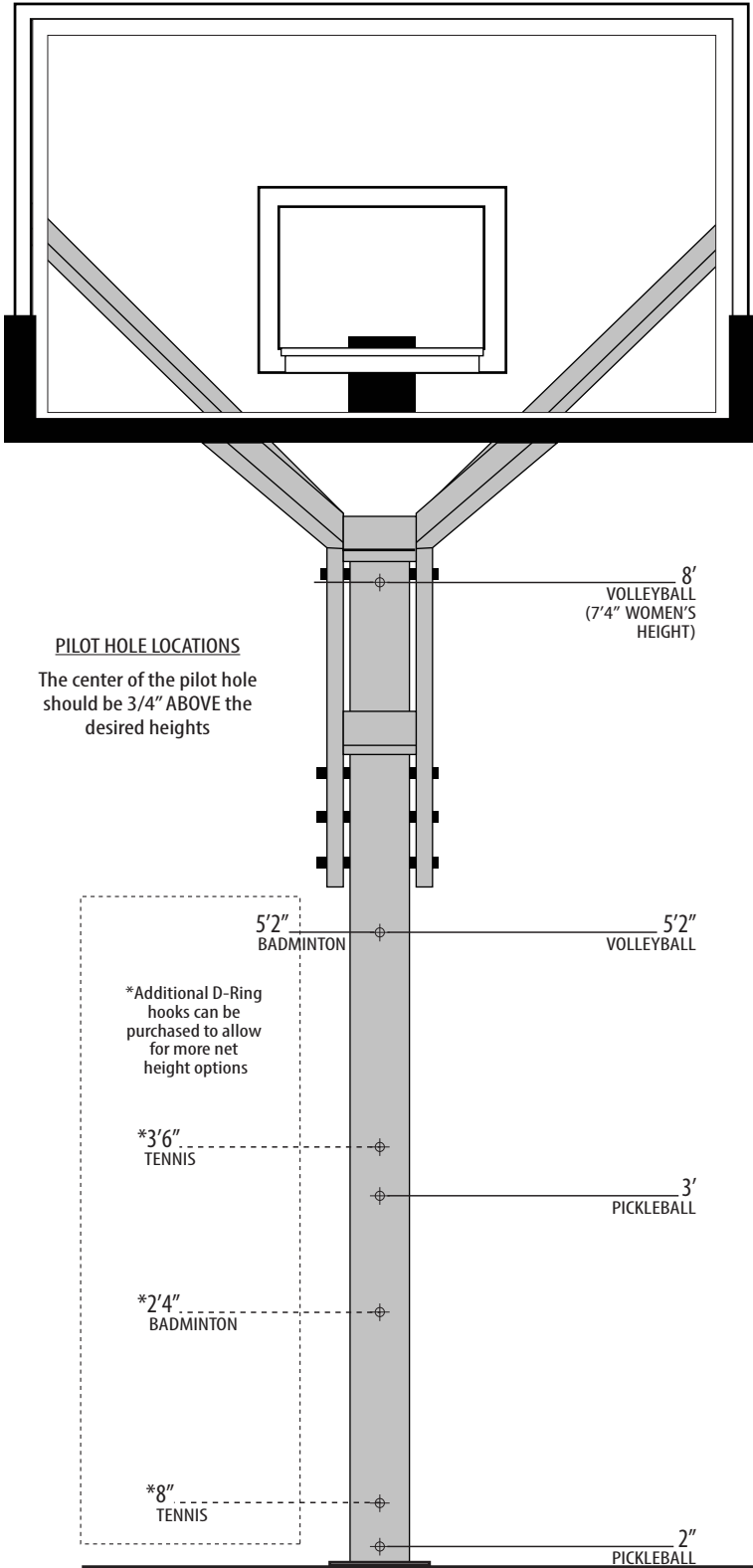
1. The pole should be sunk to the depths shown in the illustration below, with concrete 12" below the end of the pole. The maximum recommended pole spacing is 42' apart. The optional ground sleeve is recommended. Concrete installation varies depending on your area's soil condition.
2. Slide reel and all collars over the top of pole according to the illustration.
3. Secure reel and collars according to the indicated sport heights. For this you will need a 9/16" wrench and a ladder.
4. To secure collars, use a 9/16" wrench and tighten each bolt on the backside of the pole.
5. To set the reel in place, use the provided Allen wrench to tighten the set screws on the front of the pole. One set screw is underneath the reel, and the other is above the reel.
6. Tighten the components just enough to set the collars in place. Over-tightening will make it difficult to reset the collars for net height adjustments.
7. Secure the handle to the reel and place the cap on the top of pole.



*Collar attachment locations are approximate. Field adjustments may be required to reach the desired net height.

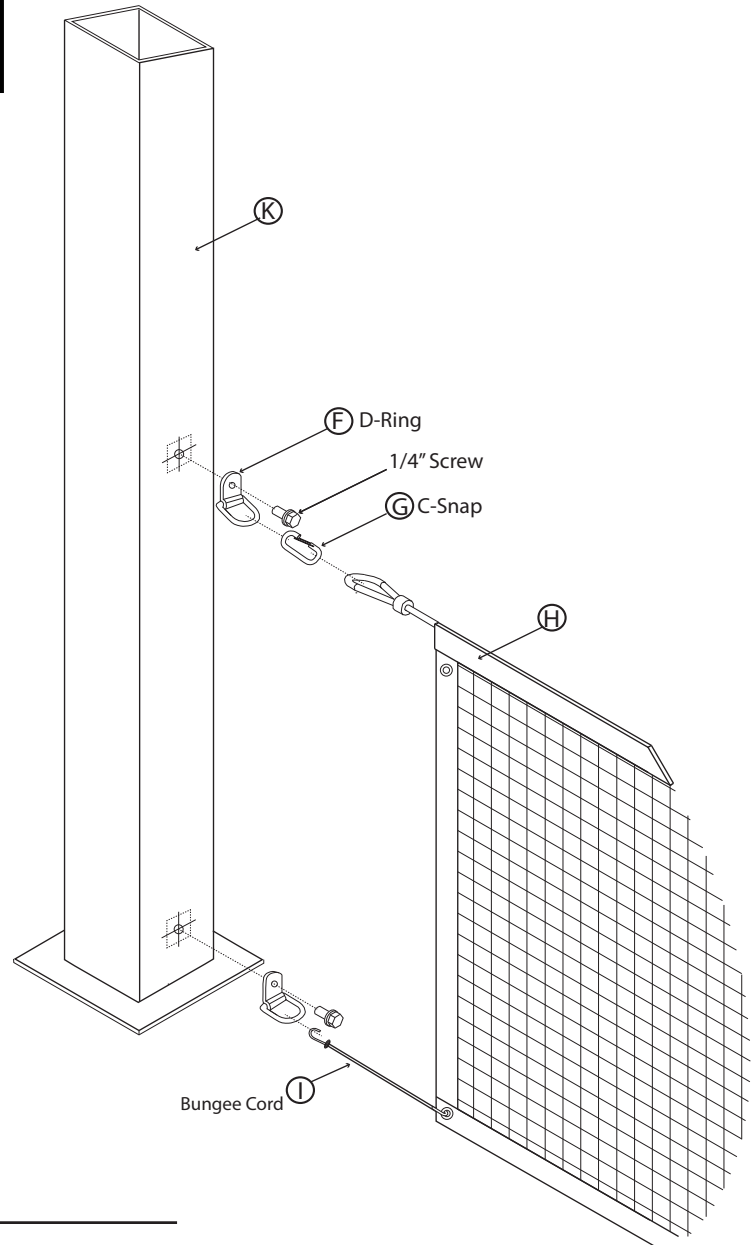
**To change the height setting, the net must be completely removed and reinstalled, and the reel and collars must be adjusted to the desired heights.





D-RING INSTRUCTIONS

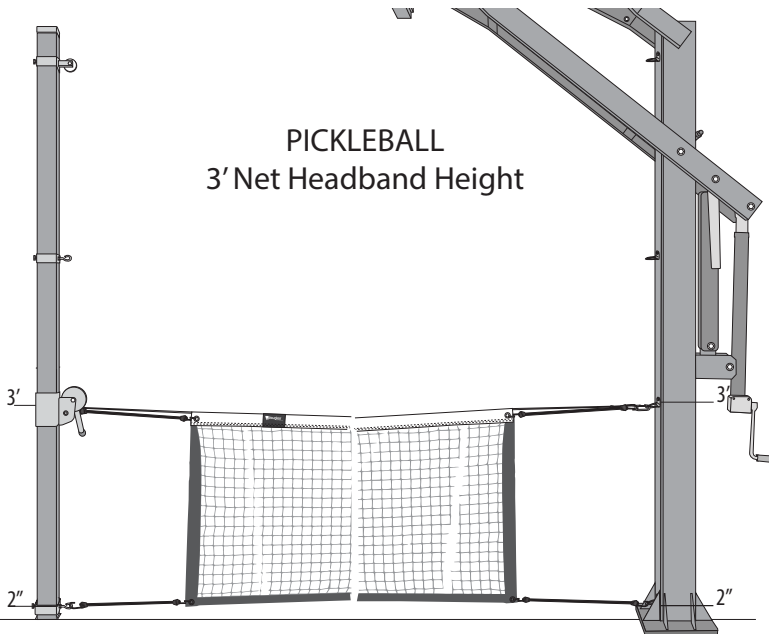
1. On the basketball system, drill a pilot hole for each d-ring location. For this you will need a drill.
2. Please note that the center of the pilot hole should be 3/4" ABOVE the desired heights to account for accurate ring placement.
3. With the provided 5/8" screws, attach and tighten the d-rings to the basketball post in the pilot holes. For this you will need a 5/8" wrench.



PICKLEBALL - NET INSTALLATION

1. If needed, take down the net and then adjust the collars to the necessary positions, as shown in the illustration. For this, you'll need a wrench and maybe a ladder. On the take-up post, the reel must be set at 3', and the bottom eye bolt collar needs to be set at 2" from the ground.
2. Attach one headband cable loop to the middle d-ring on the basketball unit set to 3'.
3. On the take-up side, attach the other net cable loop to the hook on the reel. Turn the reel handle clockwise and begin cranking until the net is taught between the posts.
4. Use (2) bungee cords to secure the net to the d-rings on the basketball pole. The top bungee cable shares a d-ring with the headband cable.
5. Use (2) bungee cords on the take-up post to tighten the net. The top bungee cord connects to the bar underneath the reel.

PICKLEBALL
3' Net Headband Height



TAKE-UP POST

Reel Net Attachment

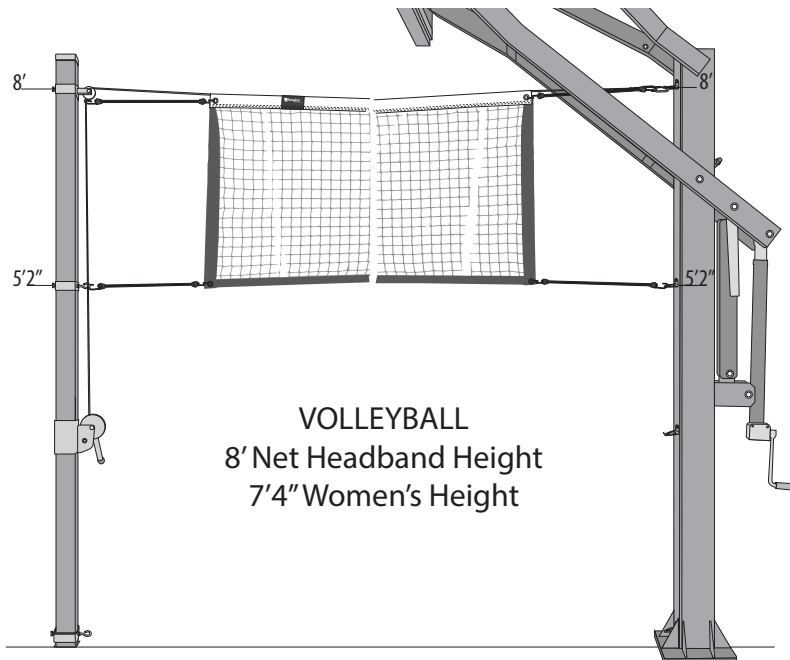
TAKE-UP & DUMMY POST

Eye Bolt Bottom Net Attachment

VOLLEYBALL - NET INSTALLATION

1. If needed, take down the net and then adjust the collars to the necessary positions, as shown in the illustration. For this, you will need a wrench and a ladder. On the take-up post, the top pulley collar needs to be set at 8', and the bottom middle eye bolt collar needs to be set at 5'2" from the ground.
2. Attach one headband cable loop to the top d-ring on the basketball unit set to 8'.
3. On the take-up side, pull the cable loop over and down through the top pulley set at 8'.
4. Continue pulling the net cable loop down to the hook on the reel. Turn the reel handle clockwise and begin cranking until the net is taught between the posts.
5. Use (2) bungee cords to secure the net to the d-rings on the basketball pole. The top bungee cable shares a d-ring with the headband cable.
6. Use (2) bungee cords on the take-up post to tighten the net. The top bungee cord connects to the headband cable that is tightened to the reel.

VOLLEYBALL
8' Net Headband Height
7'4" Women's Height



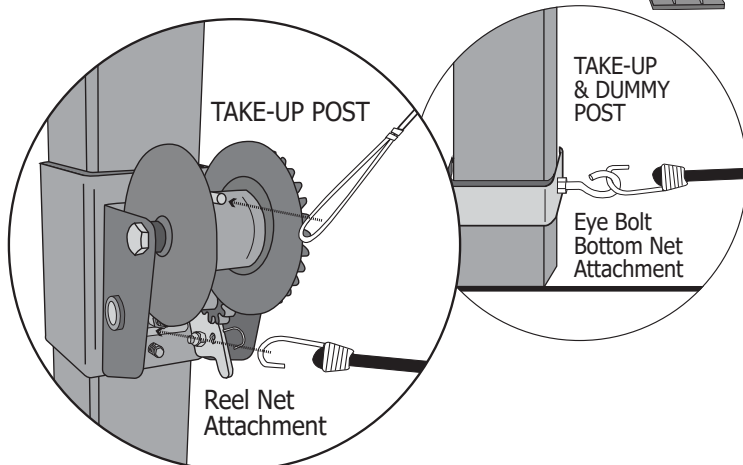
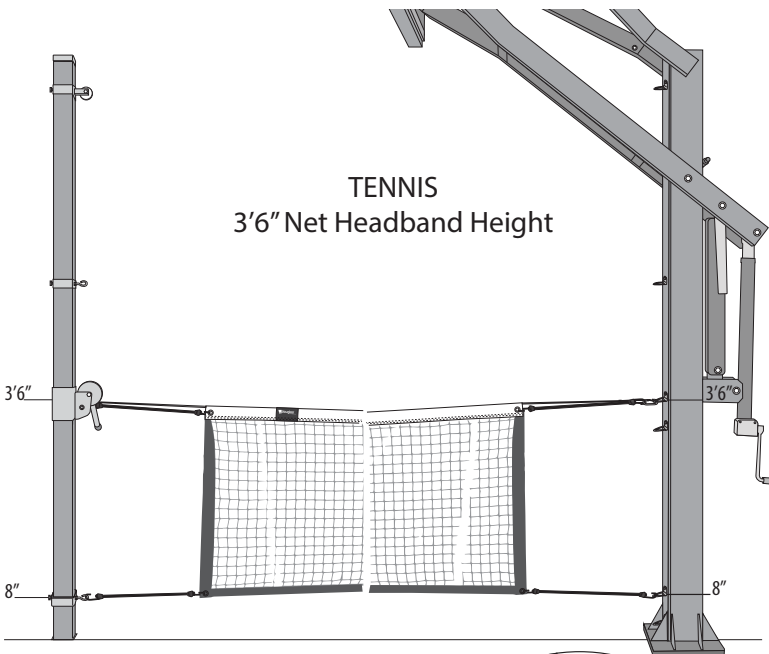
TAKE-UP POST
Reel Net Attachment

TAKE-UP POST
Top Pulley
Volleyball Net Attachment

TENNIS & BADMINTON REQUIRE ADDITIONAL D-RINGS INSTALLED ON THE BASKETBALL UNIT. SEE PAGE 3

TENNIS - NET INSTALLATION

1. If needed, take down the net and then adjust the collars to the necessary positions, as shown in the illustration. For this, you'll need a wrench and maybe a ladder. On the take-up post, the reel must be set at 3'6", and the bottom eye bolt collar needs to be set at 8" from the ground.
2. Attach one headband cable loop to the middle d-ring on the basketball unit set to 3'6".
3. On the take-up side, attach the other net cable loop to the hook on the reel. Turn the reel handle clockwise and begin cranking until the net is taught between the posts.
4. Use (2) bungee cords to secure the net to the d-rings on the basketball pole. The top bungee cable shares a d-ring with the headband cable.
5. Use (2) bungee cords on the take-up post to tighten the net. The top bungee cord connects to the bar underneath the reel.



BADMINTON - NET INSTALLATION

1. If needed, take down the net and then adjust the collars to the necessary positions, as shown in the illustration. For this, you'll need a wrench and a ladder. On the take-up post, the top pulley collar needs to be set at 5'2", and the bottom middle eye bolt collar needs to be set at 2'4" from the ground.
2. Attach one headband cable loop to the top d-ring on the basketball unit set to 5'2".
3. On the take-up side, pull the cable loop over and down through the top pulley set at 5'2".
4. Continue pulling the net cable loop down to the hook on the reel. Turn the reel handle clockwise and begin cranking until the net is taught between the posts.
5. Use (2) bungee cords to secure the net to the d-rings on the basketball pole. The top bungee cable shares a d-ring with the headband cable.
6. Use (2) bungee cords on the take-up post to tighten the net.

