

CUSTOM PADDING

Douglas manufactures a full line of high quality standard and custom padding to meet your specific indoor or outdoor applications.

Outdoor Protective Wall Padding

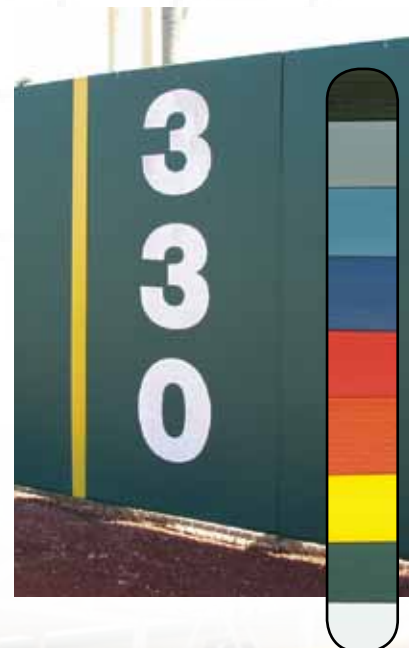
Application/Style Options:

- Concrete, Block or Wood Walls: Plywood Backed Padding with z-clip channels on the top and bottom
- Chain Link Fence: Plywood Backed Padding with a bolt/backup plate
- Chain Link Fence: Sewn Padding includes flap with grommets on the top and bottom (no plywood backing)

Specifications:

- Up to 4' X 8' available
- Standard 3/4" thick exterior grade plywood
- 3" thick high impact foam
- 16 oz. UV & weather resistant vinyl
- Standard Colors: Dark Green, Black, Royal Blue, Navy Blue and Red. Additional colors are available.

Contact us for additional information and pricing.



Douglas® Custom Logo Padding

Add a custom logo or advertisement to meet your organization's needs. Contact us for additional information and pricing.



Douglas® Guard Rail Pads (Item # 29217)

Our guard rail pads are manufactured using 1" thick high-density foam cores. Foam is 1" prime polyurethane 100+ ILD. 16 oz vinyl is UV and weather resistant and is available in a variety of colors



Indoor Wall Padding

- Standard Size: 6' high x 2' wide x 2" thick High Impact Foam
- Strong Plywood Backing
- Attach with Z-Clip Top & Bottom (#26320) or 1" Lip Top & Bottom (#26325)
- Reinforced Sewn Flame Resistant Vinyl Cover
- Custom Sizes Also Available



Z-Clip Attachment

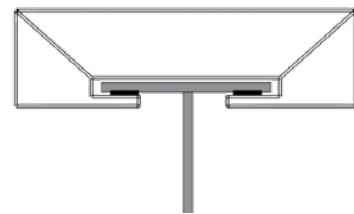


1" Lip Top & Bottom Attachment



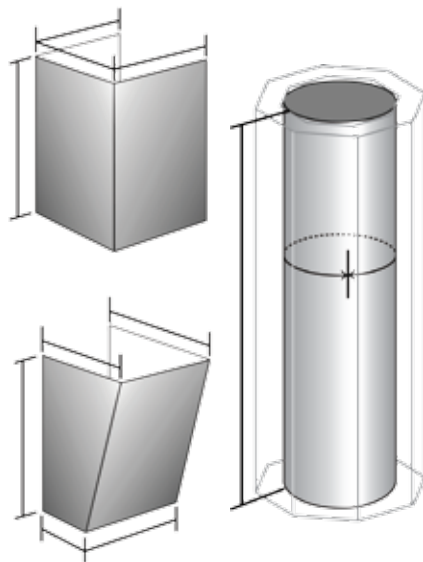
I-Beam Wrap Pads

- Standard Size: 6' high x 2" Thick High Impact Foam
- Covers Front and Sides of Beam Face
- Velcro Attach, Includes Adhesive Velcro for Backside of Beam Face
- Reinforced Sewn Flame Resistant Vinyl Cover
- For up to 12" wide Beam Face, must specify beam width
- Custom Sizes Also Available



Custom Column Padding

Must Provide Measurements and/or Drawing
Tapered Column Sizes Also Available
Reinforced Sewn Flame Resistant Vinyl Cover



Custom Sewn Padding

- Cushion I-Beams, Columns or Posts
- Attach with Grommets, Velcro or Glue-On
- Available with 2" (#29218), 3" (#29218A) or 4" (#29218B) thick High Impact Foam
- Reinforced Sewn Flame Resistant Vinyl Cover
- Custom Made to Size



Gym Floor Covers

- Available in 18 oz or 20.5 oz PVC coated polyester vinyl
- Sold in sections for ease of handling and storage
- Anti-mildew and UV treated
- Meets the state of California Fire Marshall requirements
- Standard Colors include: tan, forest green, blue, burgundy and gray
- 7 Year Limited Warranty

Contact us for additional information and pricing.



Court Covers

- Eliminates expensive labor and the need for drying techniques
- Completely water resistant and can be used on any type of tennis court surface
- Standard and custom sizes are available
- Also a great use of soccer and football fields

