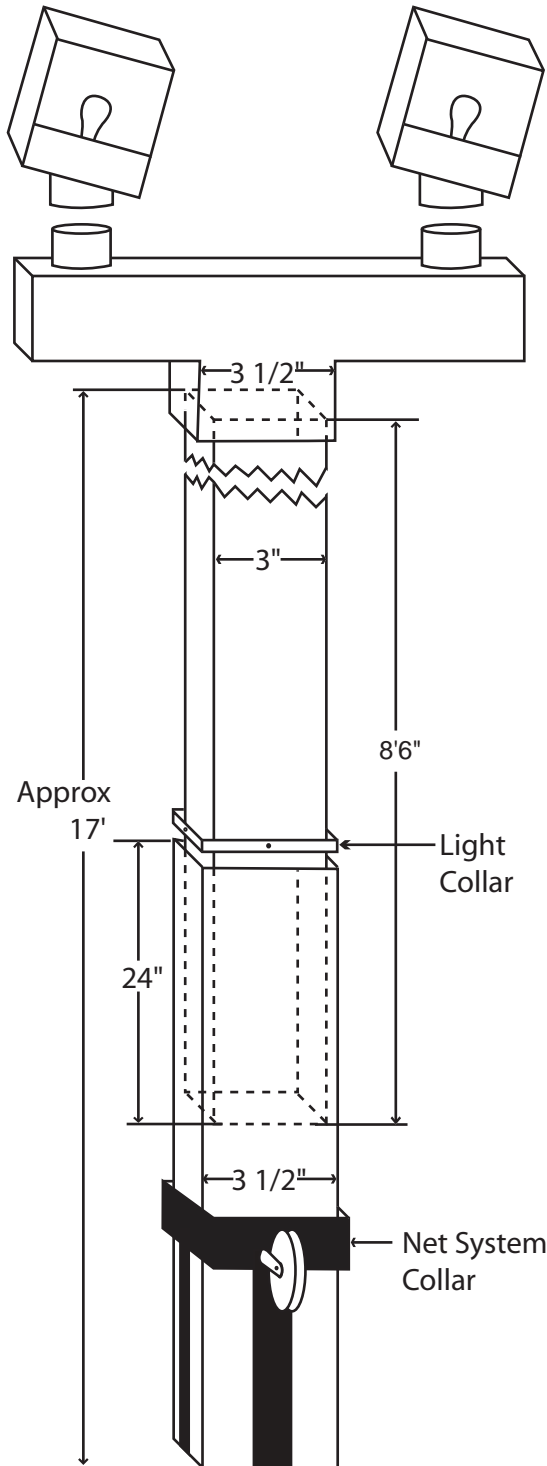




# INSTALLATION INSTRUCTIONS

## Deluxe Lighting System



### Parts List:

- 1- Light Pole - 10'6" long x 3" Square
- 2- Light Fixtures w/ Lamps
- 1- Light Extension Arm
- 1- Light Collar 3 1/2" Square

### Tools Required:

- 9/16" Socket
- Socket Wrench
- Allen Wrench
- 20' Rope
- Wiring

Before inserting the light pole into the net system pole, make sure that all collars for adjusting the net are installed in the proper location and tightened.

Assemble on the ground: Slide the 3 1/2" sq Height adjustment collar on either end of the light pole a minimum of 24" from end (this allows 17' from the surface to the top of the light pole) and tighten the 4 set screws. Attach the lights and string the 20 ft. of rope through the pole while it is still on the ground. This way you will have a guide rope already in place to pull the wire through. Insert the end of the light pole into the top of the net pole.

Installation and wiring of the light extension arm and fixtures should be completed by a state certified electrician.