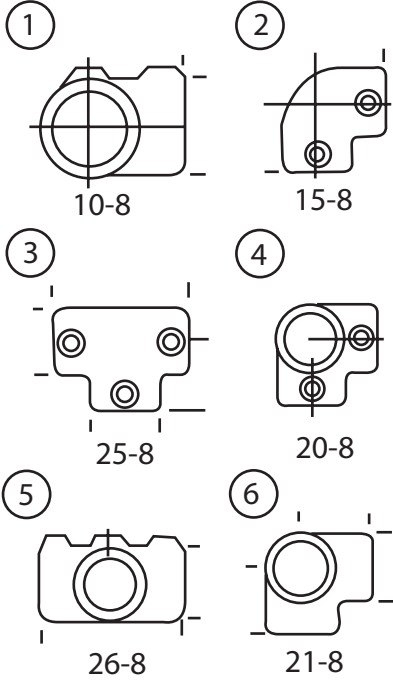




# INSTALLATION INSTRUCTIONS

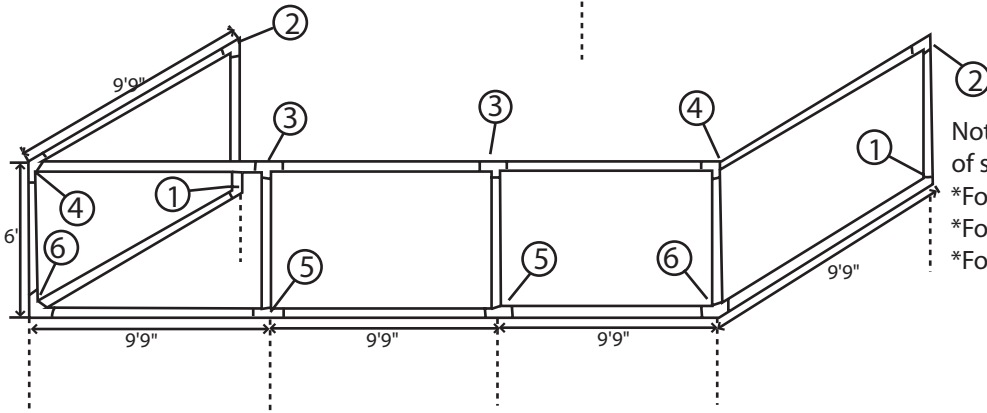
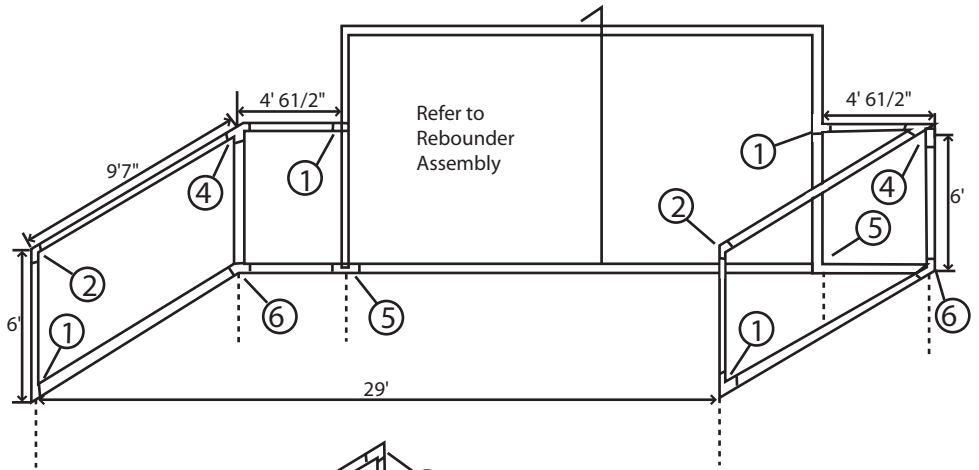
## Fence System Assembly

### 30' Wide

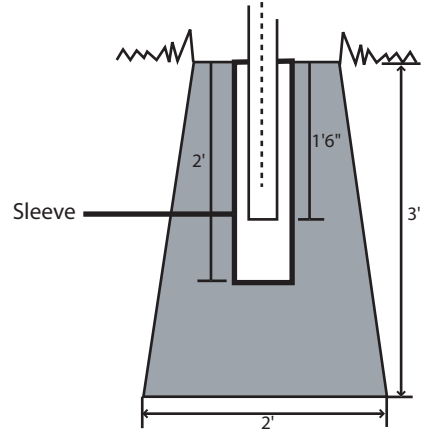
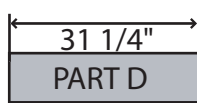
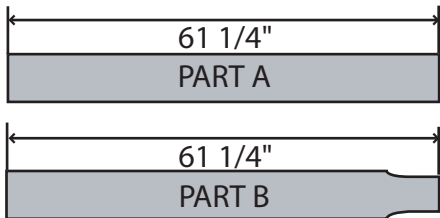


#### Parts List:

18	A- 61 1/4" o.d. Tubes	4	25-8 Kee Klamp
24	B- 58 3/4" o.d. Tubes	4	26-8 Kee Klamp
10	D- 31 1/4" o.d. Tubes	4	WDN-420 6' x 9'7"
4	10-8 Kee Klamp	2	WDN-420 6' x 4'6"
4	15-8 Kee Klamp	1	WDN-420 6' x 29'
4	20-8 Kee Klamp	1	600' Spool BNC
4	21-8 Kee Klamp	10	2" i.d. Ground Sleeves



Note: Measurements are center of sleeve to center of sleeve  
 \*For 9'9" lengths use Posts A & B and cut to length  
 \*For 7'6" lengths use B & D  
 \*For 4'61/2" use A



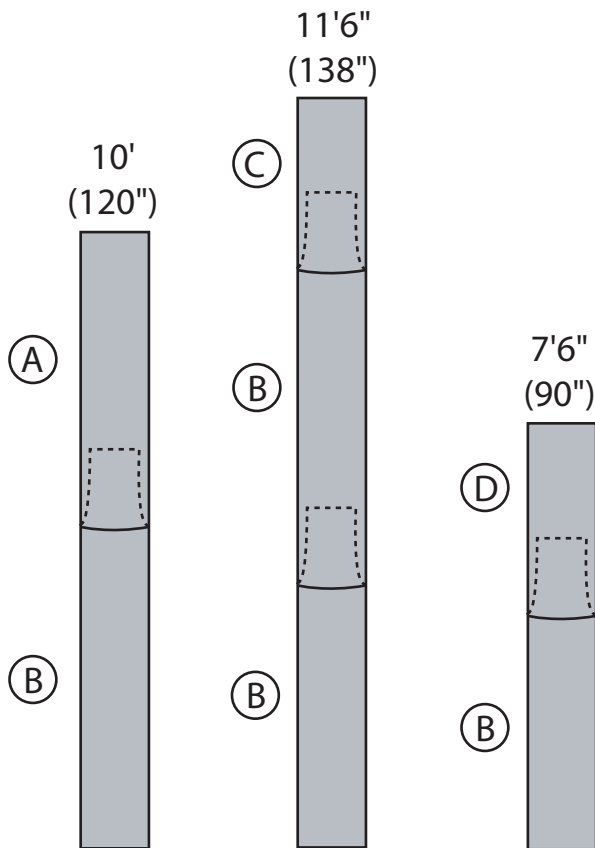
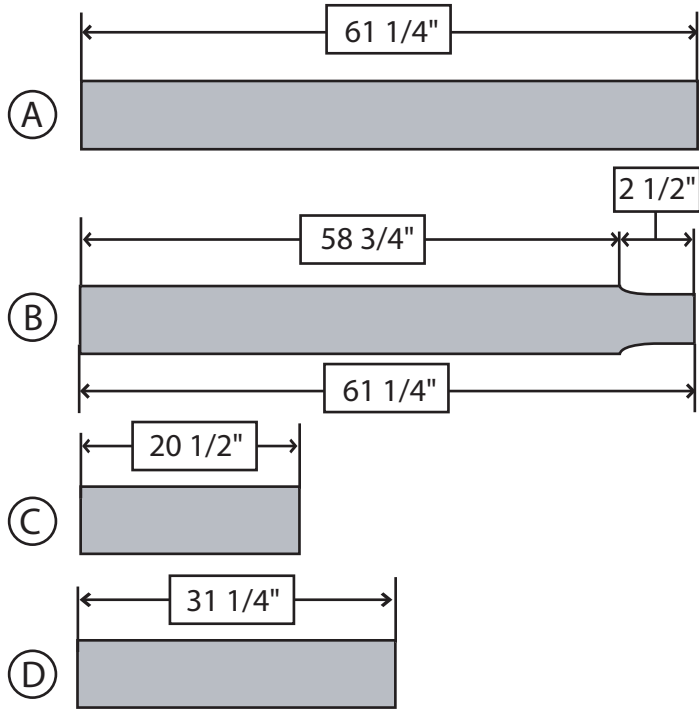
Manufactured by Douglas Industries, Inc.



# INSTALLATION INSTRUCTIONS

## Fence System

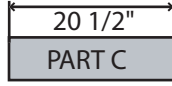
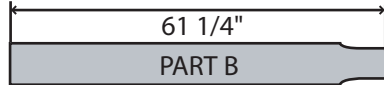
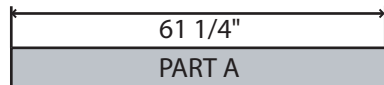
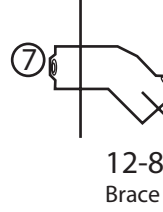
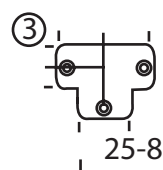
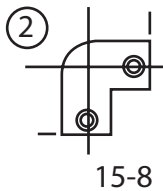
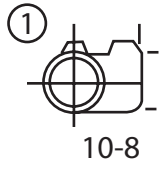
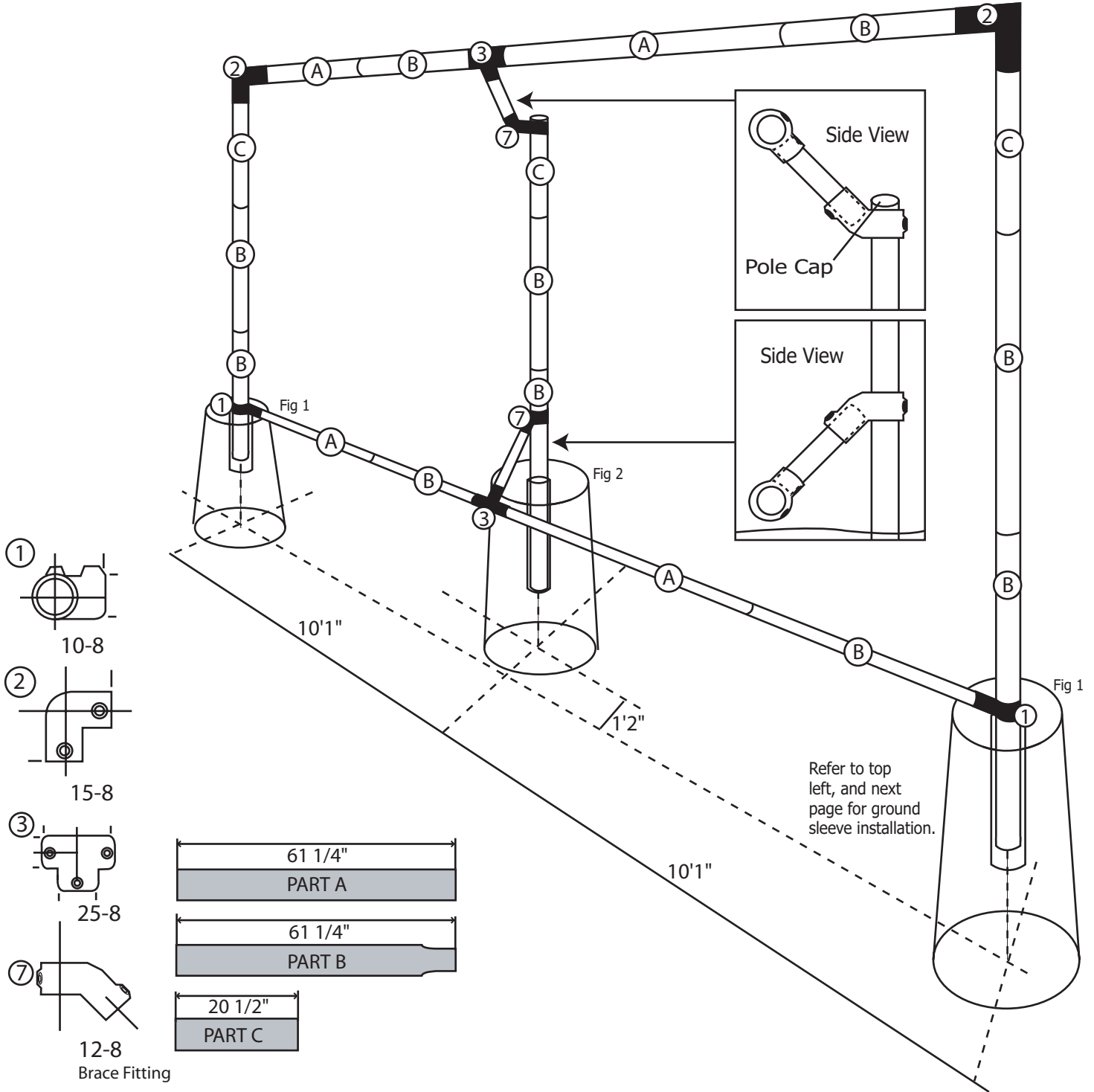
### x 16 GAGE





# INSTALLATION INSTRUCTIONS

## Standard Rebounder Assembly





# INSTALLATION INSTRUCTIONS

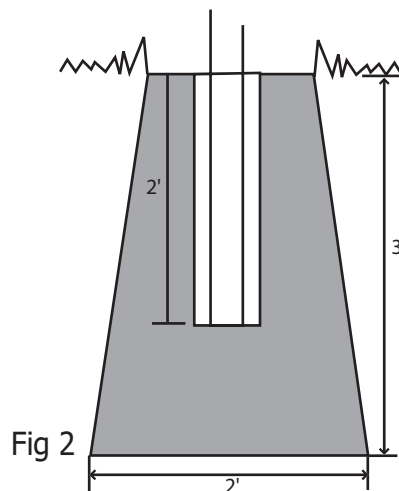
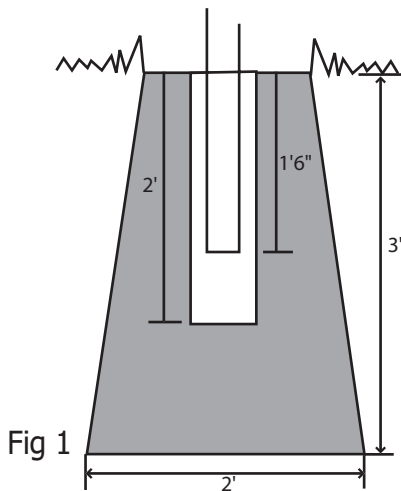
## Standard Rebounder Assembly

### Page 2

#### Parts List:

Tubing:		Fittings:		Others:			
4	Part A	2	10-8 Kee Klamp (1)	3	2" i.d. PVC sleeves	1	Vinyl Skirt
10	Part B	2	15-8 Kee Klamp (2)	1	Pole Cap	10	Releasable Ty-Raps
3	Part C	2	25-8 Kee Klamp (3)	1	Rebound Net	1	Webbing Strap
2	12" braces	2	12-8 Special Fittings	30	Bungee Cords	1	Set Screw Key
				20	Adjustable Straps		

1. Sink PVC sleeves to a depth of 2 ft. in concrete at least 3 ft deep, as shown on the illustration. Note that the center pole is set back from the two end poles.

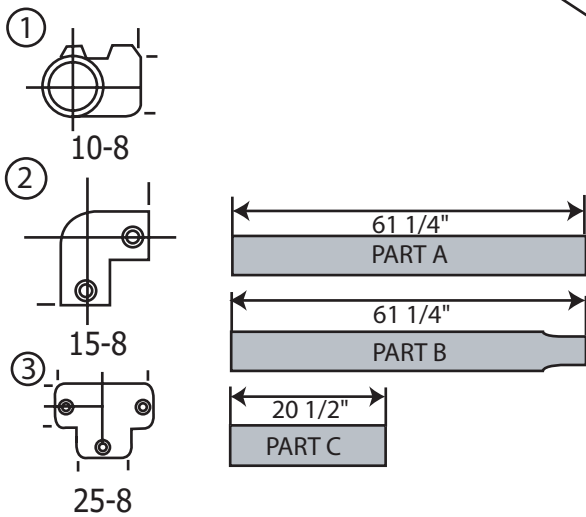
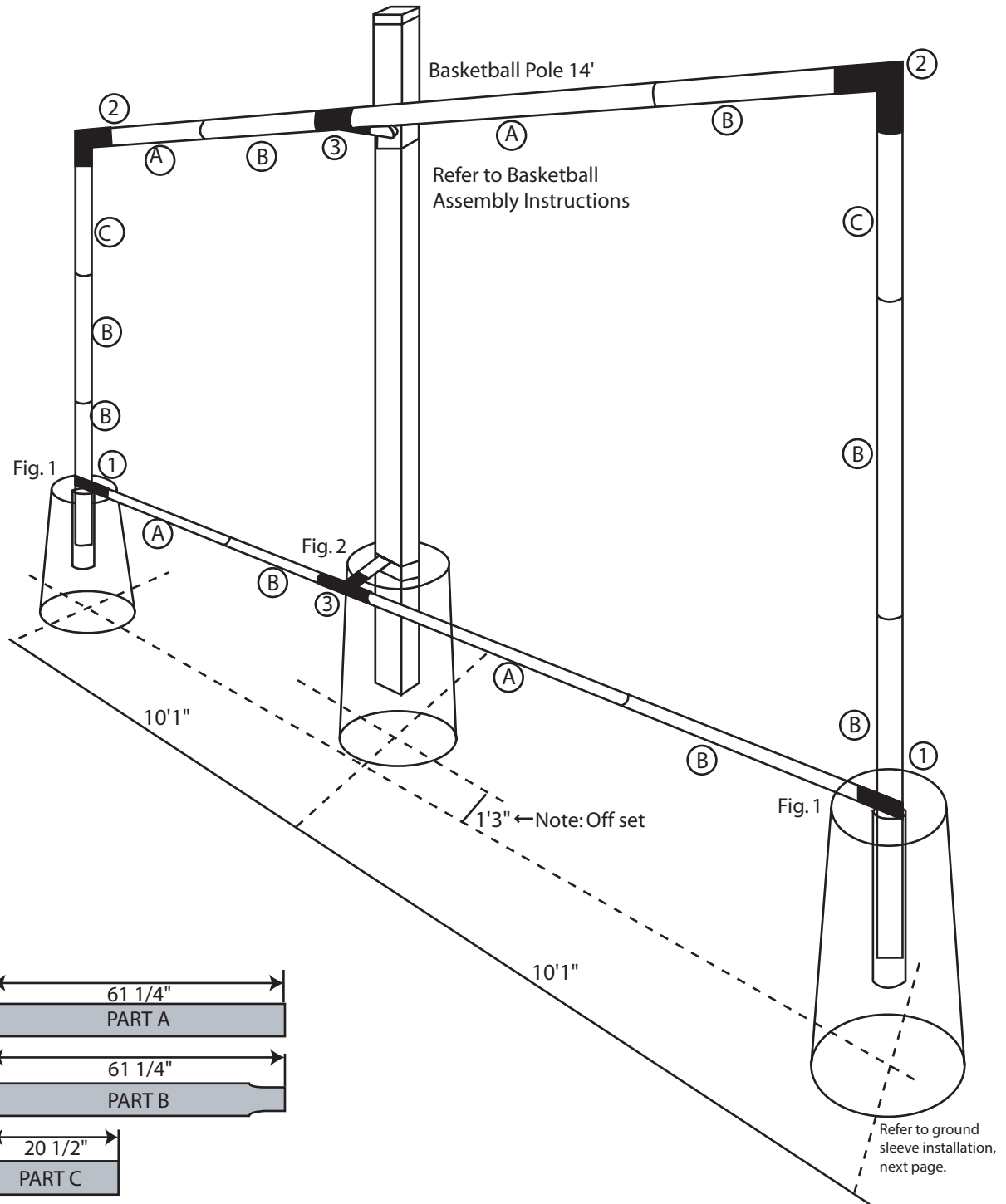
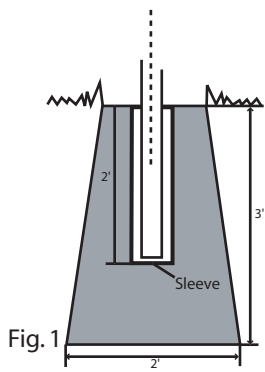


2. Assemble bottom bar over the holes as a guide. Lift off, lay down and finish assembly of frame on the ground. Use a set screw key to secure poles in fittings. be sure the whole frame, including the 1 ft. set backs, is assembled before installing the netting
3. To install netting, fasten frame along sides and top using bungee cords, hooking every 8 mesh square. Put tension on netting using 20 adjustable straps spaces evenly along the bottom.
4. Attach vinyl skirt at bottom using ty-raps. Thread webbing into netting at 3ft. height to simulate tennis net height



# INSTALLATION INSTRUCTIONS

## Dual Rebounder Assembly





# INSTALLATION INSTRUCTIONS

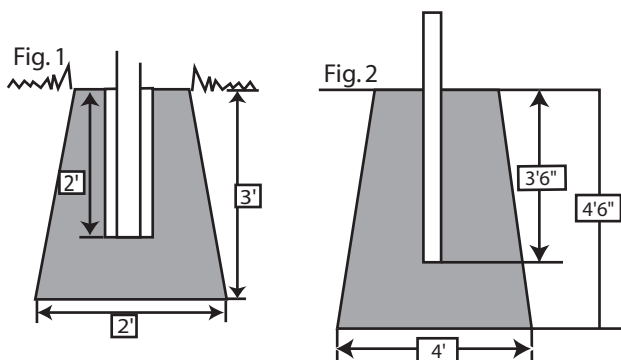
## Dual Rebounder Assembly

### Page 2

#### Parts List:

Tubing:		Fittings:		Others:			
4	Part A	2	10-8 Kee Klamp (1)	2	2" i.d. PVC sleeves	1	Vinyl Skirt
8	Part B	2	15-8 Kee Klamp (2)	1	Rebound Net	10	Releasable Ty-Raps
2	Part C	2	25-8 Kee Klamp (3)	30	Bungee Cords	1	Webbing Strap
2	Braces			20	Adjustable Straps	1	Set Screw Key

1. Sink PVC sleeves to a depth of 2 ft. in concrete at least 3 ft deep, as shown on the illustration. Note that the center pole is set back from the two end poles.



2. Assemble bottom bar over the holes as a guide. Lift off, lay down and finish assembly of frame on the ground. Use a set screw key to secure poles in fittings. be sure the whole frame, including the 1 ft. set backs, is assembled before installing the netting
3. To install netting, fasten frame along sides and top using bungee cords, hooking every 8 mesh square. Put tension on netting using 20 adjustable straps spaces evenly along the bottom.
4. Attach vinyl skirt at bottom using ty-raps. Thread webbing into netting at 3ft. height to simulate tennis net height



# INSTALLATION INSTRUCTIONS

## Net System

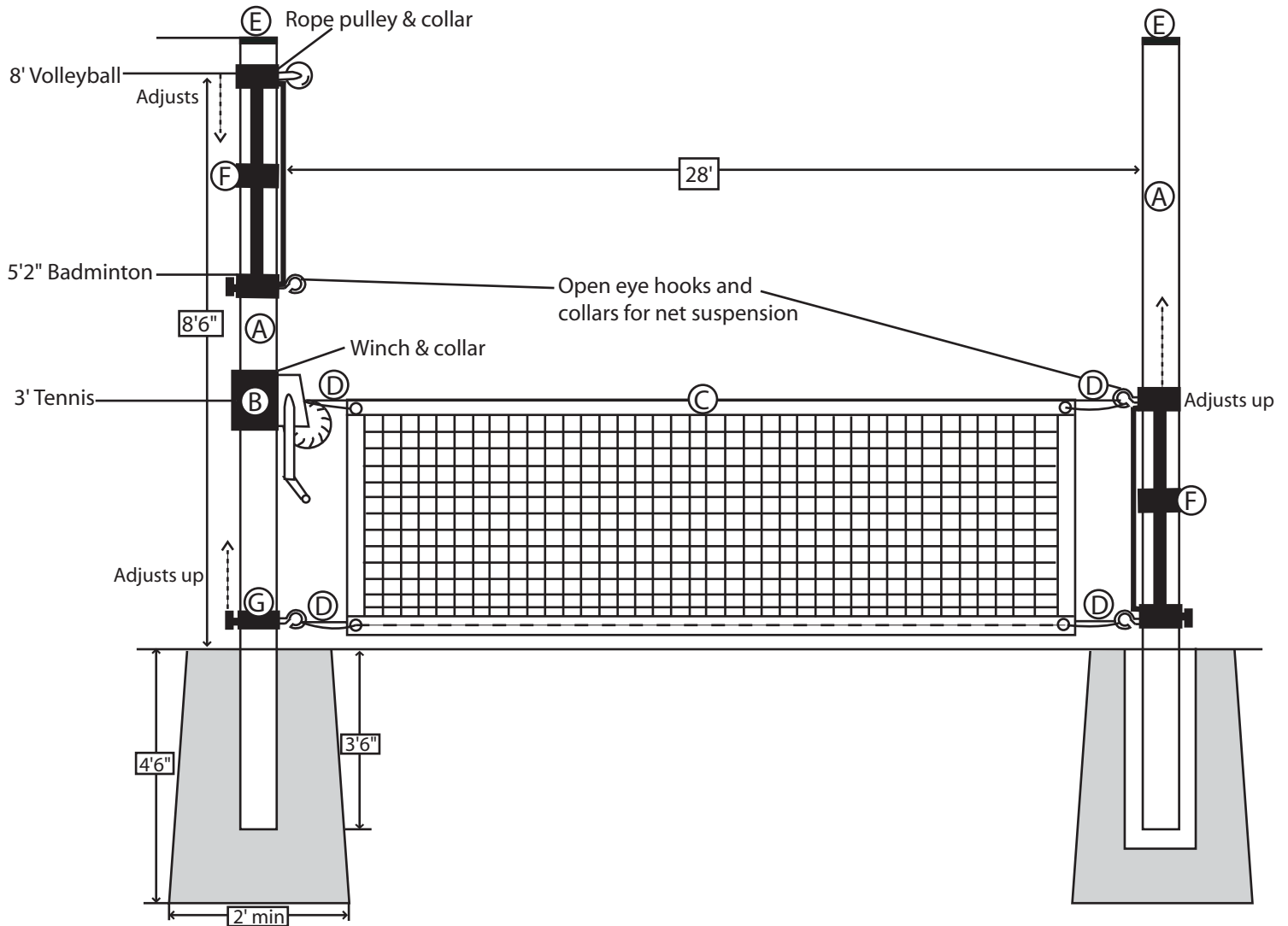
### Parts List:

- A 2- 12' -3 1/2" square green poles
- B 1- Collar with reel and removable hardware
- C 1- Unicourt Net with side bracing
- D 4- Bungee cords
- E 2- Black caps
- F 1- Set of collar braces
- G 1- Collar w/ eyebolt

### Tools Needed:

- level
- shovel
- concrete
- 9/16" wrench
- 1/4" allen wrench (included)

1. The poles should be sunk to the depths shown on the illustration below. With concrete one foot below the end of the pole. The poles should be 28 feet apart for the standard 30 foot wide court. Ground Sleeves are optional. Concrete installation may vary upon soil condition.
2. Slip all collars and braces over the top of poles. Place caps on the tops of poles. Set collars and braces according to the height adjustment of the game you want to play. (See Height Adjustment Instructions.)





# INSTALLATION INSTRUCTIONS

## Unicourt Basketball

### Parts List:

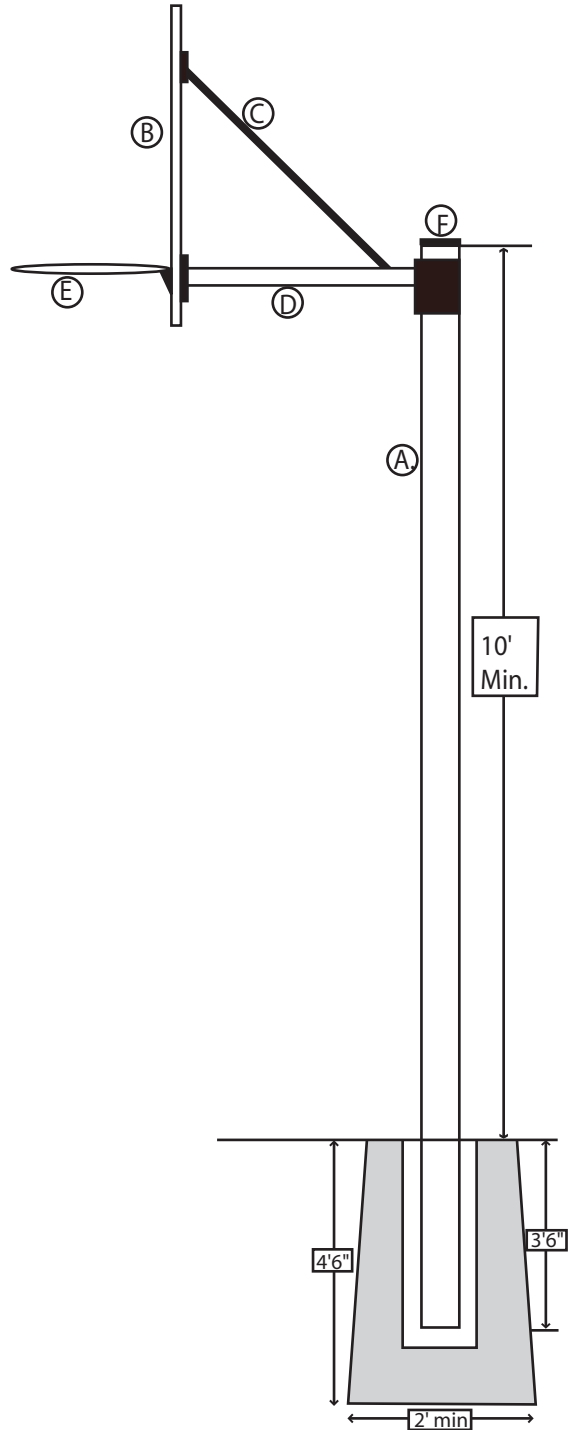
- A. 1- 14 Sq x 3 1/2" Basketball Pole
- B 1- 48 x 36 Backboard
- C. 1- Pair Swaybraces
- D. 1- Basketball Extension Arm w/ 4" sleeve
- E. 1- Pressure Flex Jr Goal & Net
- F. 1- Black Caps

### Tools:

- 1/4" Allen Wrench (included)

shovel  
ladder  
concrete

1. Basketball poles should be sunk to the depths shown on the illustration below. With concrete one foot below the end of the pole. Optional Ground Sleeve is shown
2. Slip basketball extension arm over pole and set at desired height. Regulation rim height is 10 feet. Place cap on the top of pole.



Manufactured by Douglas Industries, Inc.







# INSTALLATION INSTRUCTIONS

## Basketball Assembly

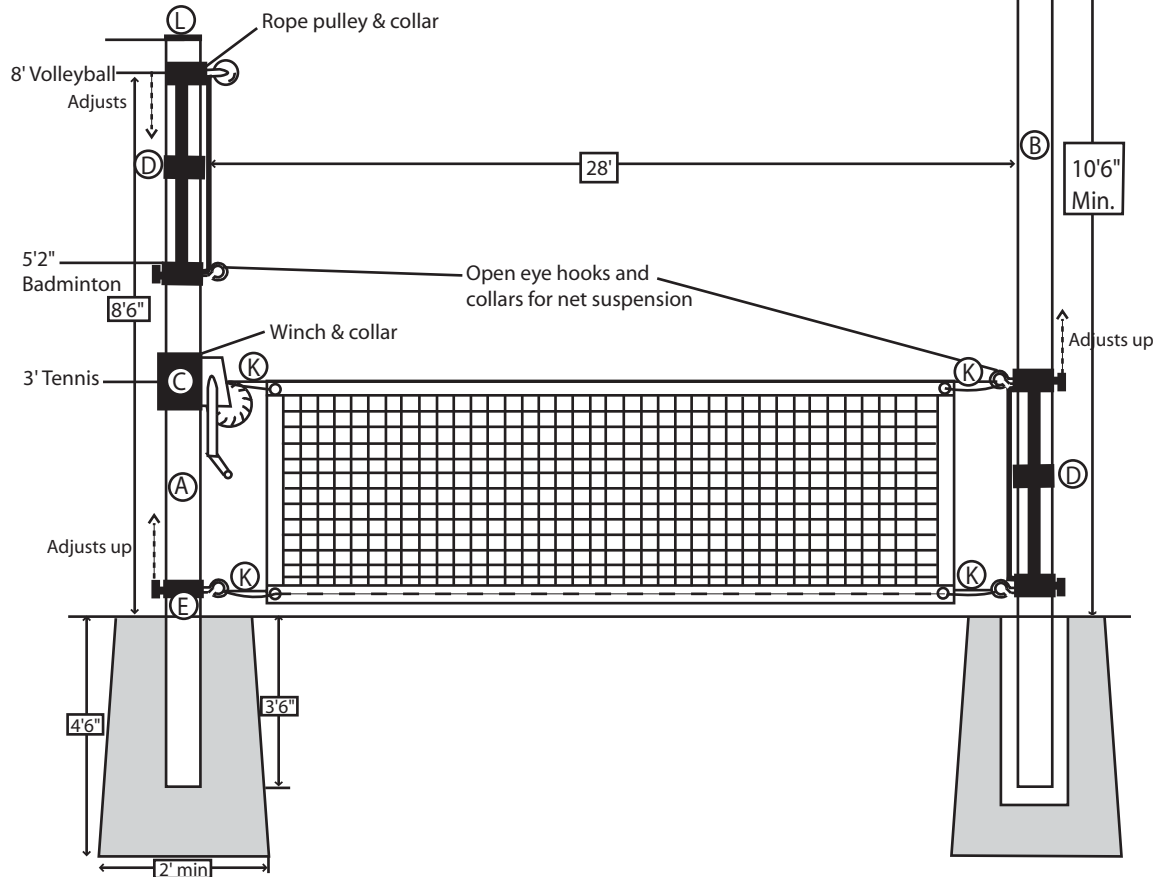
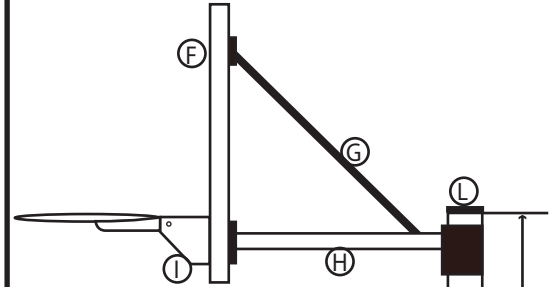
### BBS-35

#### Parts List:

- A. 1- 12' Sq x 3 1/2" Volleyball Pole
- B. 1- 14' Sq x 3 1/2" Basketball Pole
- C. 1- Collar with reel and removable hardware
- D. 1- Set of Collar braces
- E. 1- Collar w/ eyebolt
- F. 1- Acrylic Backboard
- G. 2- Support Braces
- H. 1- Basketball Extension Arm w/ 4" sleeve
- I. 1- Pressure Flex Junior Goal
- J. 1- Unicourt net with side bracing
- K. 4- bungee cords
- L. 2- Black Caps

- Tools:
- |                              |          |
|------------------------------|----------|
| Shovel                       | shovel   |
| Socket Wrench                | ladder   |
| 9/16" Socket                 | concrete |
| 1/4" Allen Wrench (included) |          |

1. The Volleyball and Basketball poles should be sunk to the depths shown on the illustration below. With concrete one foot below the end of the pole. The poles should be 28 feet apart for the standard 30 foot wide court. Ground Sleeves are optional. Concrete installation may vary upon soil condition.
2. Slip all collars and braces over the top of poles and set according to the height adjustment of the game you want to play. (See Height Adjustment Instructions.)
3. Slip basketball extension arm over pole and set at desired height. Regulation rim height is 10 feet. Place caps on the top of poles.



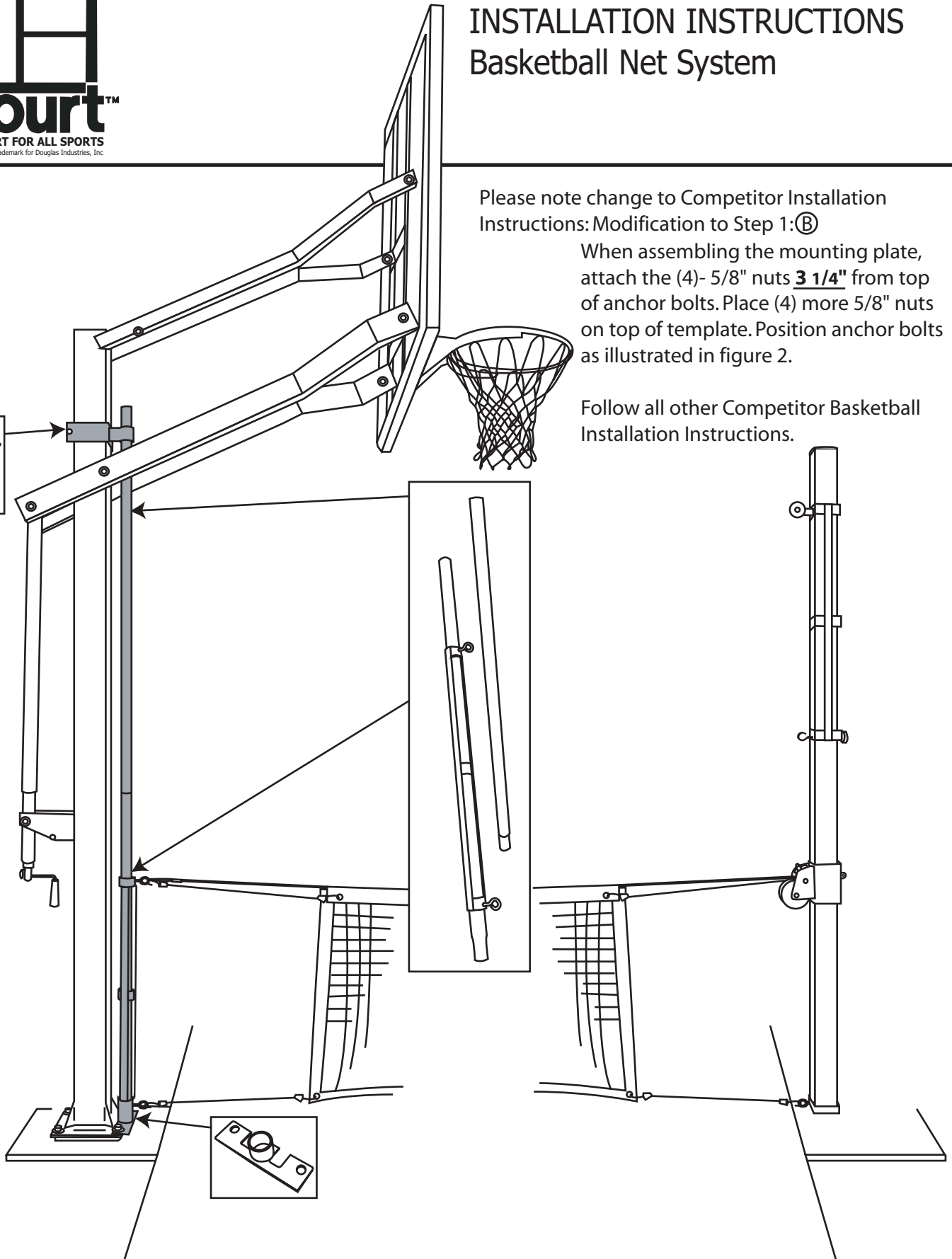
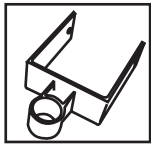
# INSTALLATION INSTRUCTIONS

## Basketball Net System

Please note change to Competitor Installation Instructions: Modification to Step 1: **Ⓑ**

When assembling the mounting plate, attach the (4)- 5/8" nuts 3 1/4" from top of anchor bolts. Place (4) more 5/8" nuts on top of template. Position anchor bolts as illustrated in figure 2.

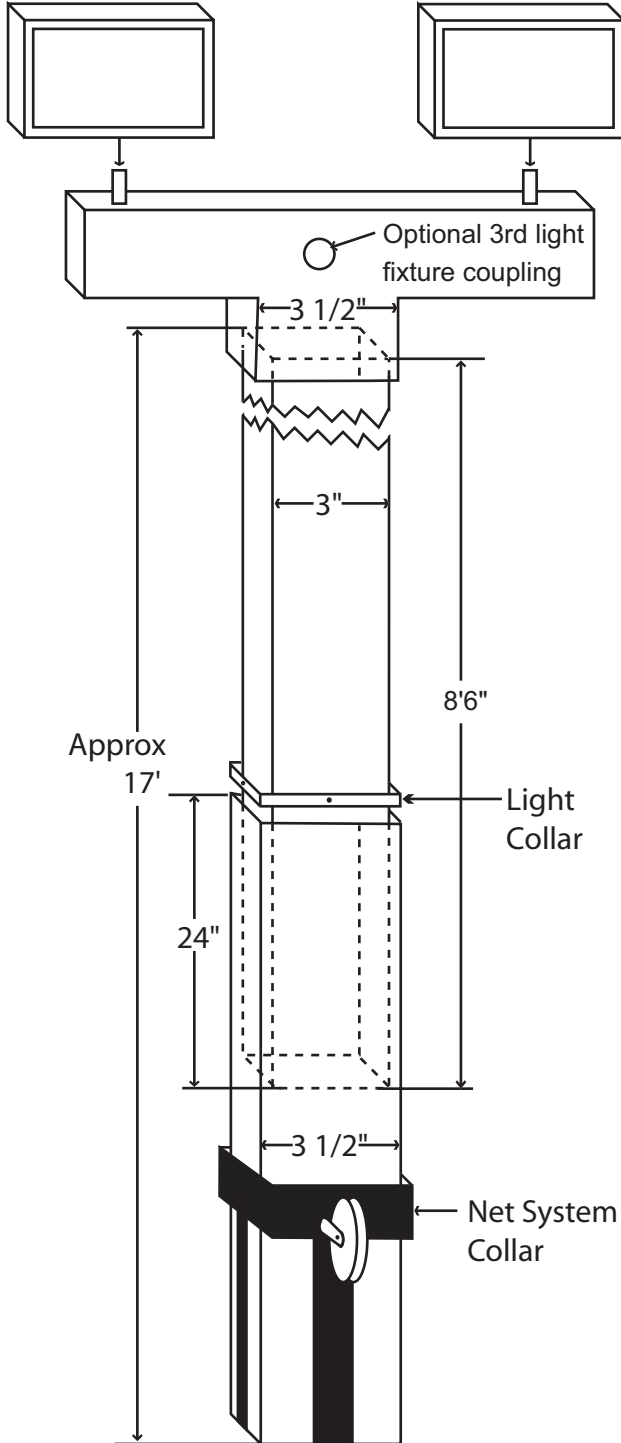
Follow all other Competitor Basketball Installation Instructions.





# INSTALLATION INSTRUCTIONS

## Lighting System



### Parts List:

- 1- Light Pole - 10'6" long x 3" Square
- 2- Light Fixtures w/ Lamps
- 1- Light Extension Arm
- 1- Light Collar 3 1/2" Square

### Tools Required:

- 9/16" Socket
- Socket Wrench
- Allen Wrench
- 20' Rope
- Wiring

Before inserting the light pole into the net system pole, make sure that all collars for adjusting the net are installed in the proper location and tightened.

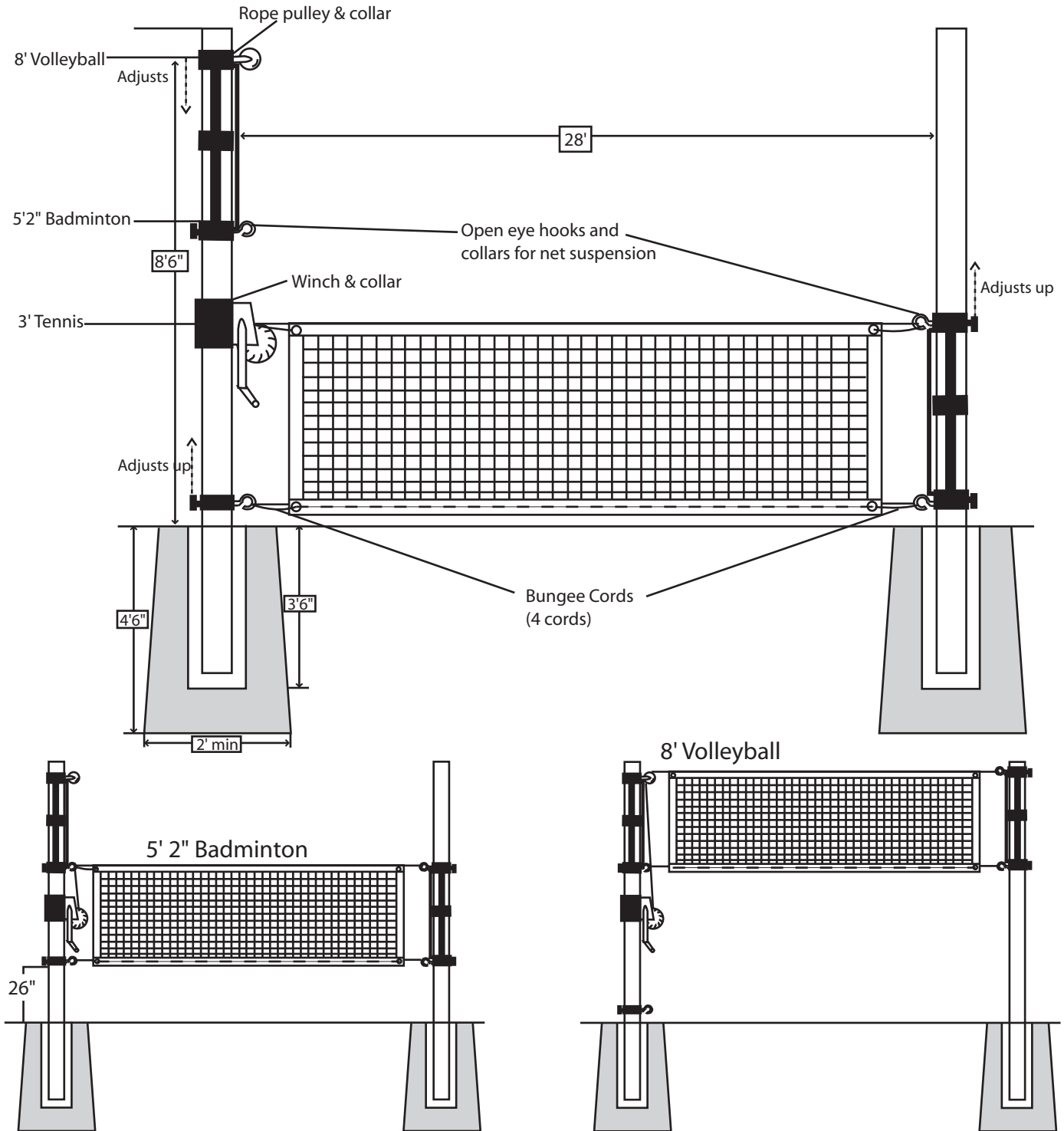
Assemble on the ground: Slide the 3 1/2" sq Height adjustment collar on either end of the light pole a minimum of 24" from end (this allows 17' from the surface to the top of the light pole) and tighten the 4 set screws. Attach the lights and string the 20 ft. of rope through the pole while it is still on the ground. This way you will have a guide rope already in place to pull the wire through. Insert the end of the light pole into the top of the net pole.

Installation and wiring of the light extension arm and fixtures should be completed by a state certified electrician.



# INSTALLATION INSTRUCTIONS

## Height Adjustment Options



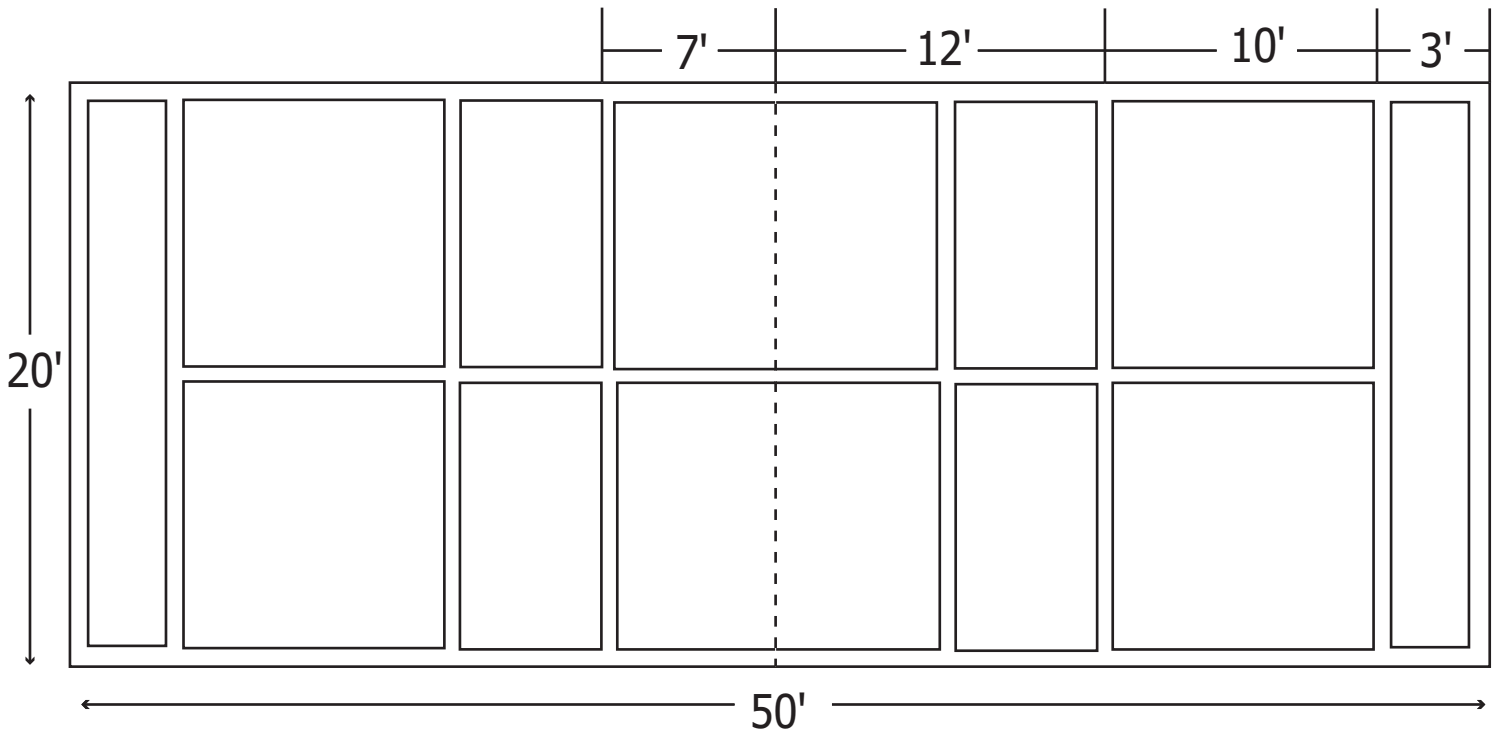
Manufactured by Douglas Industries, Inc.





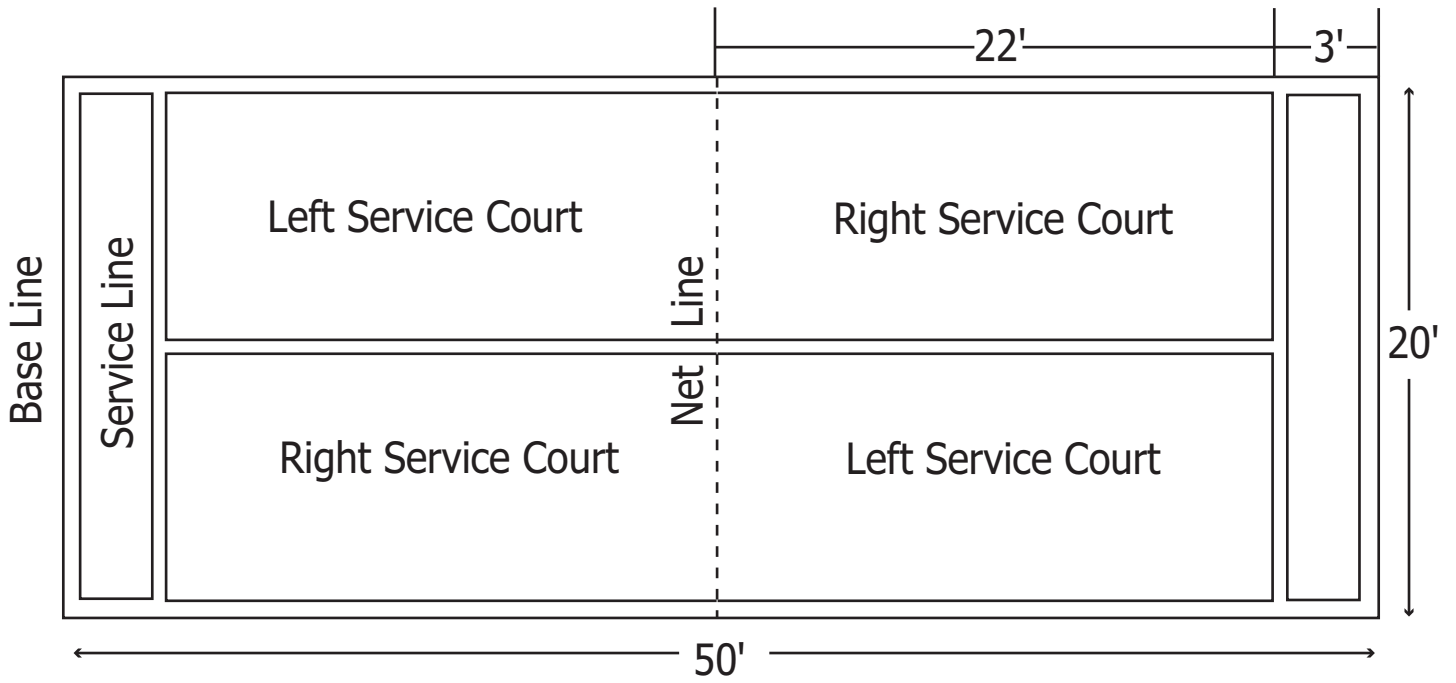
# COURT LAYOUTS

A Problem with any multiple use court is the amount of lines required for official play of each sport. This can create confusion during play. The Unicourt Court Layout is a compromise that allows play for 4 Paddle/Racquet sports; Paddle Tennis, Pickle Ball, Action Tennis and Soft Tennis. Included are the official line layouts for the individual sports. Note that these lines are boundary lines and do not show the actual playing area required that varies from sport to sport. The U.S. Paddle Tennis Association recommends the over all playing area to be 40' wide by 80' long. This does not mean that Paddle Tennis cannot be played within a smaller playing area but does mean that the players are limited somewhat to their aggressiveness with returns outside the boundary lines.

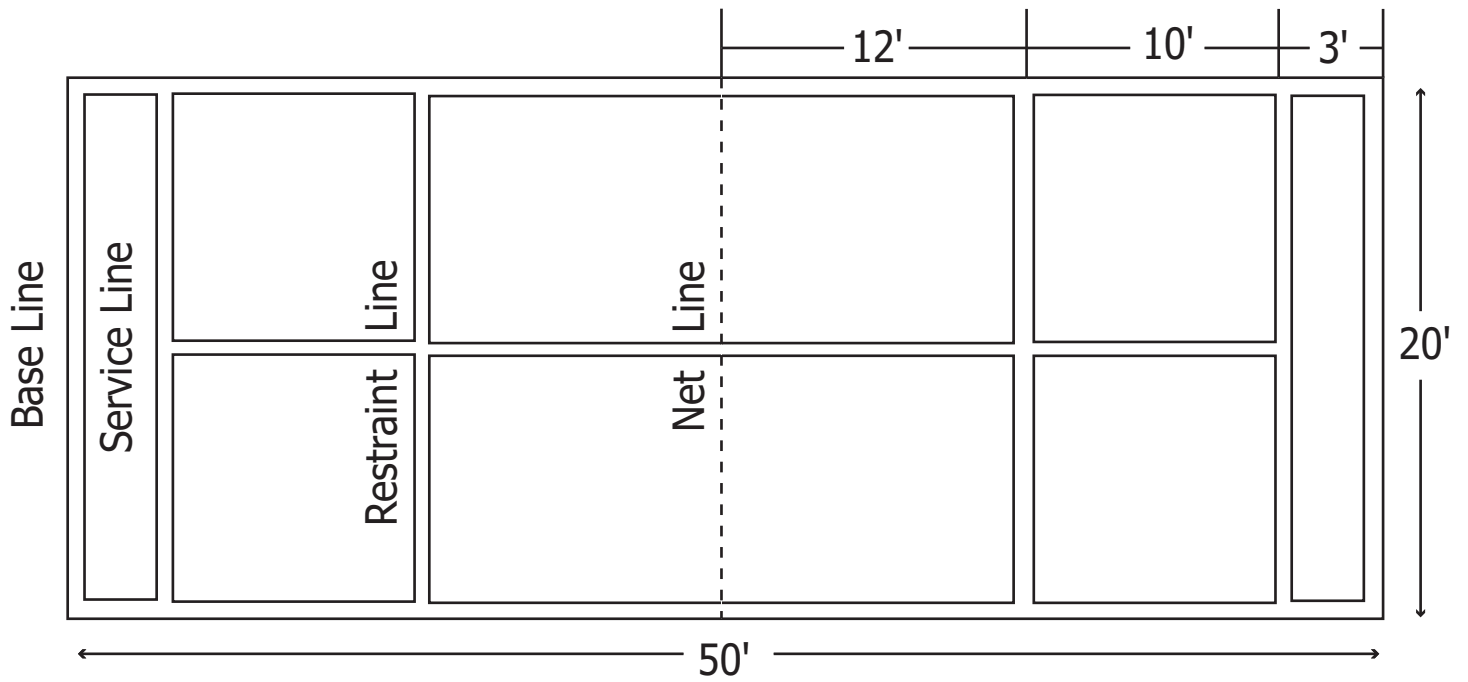


Manufactured by Douglas Industries, Inc.

### Eastern Paddle Tennis Court Layout

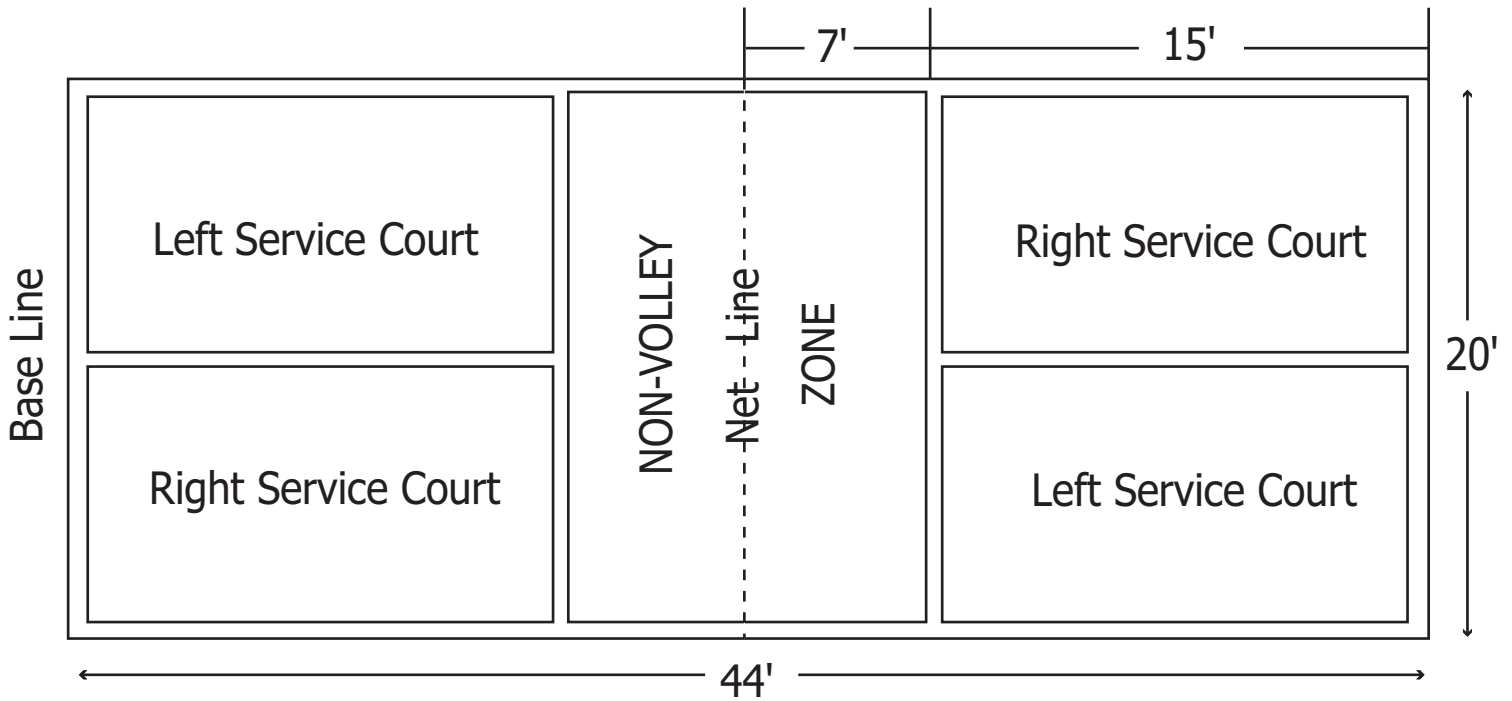


### Western Paddle Tennis Court Layout

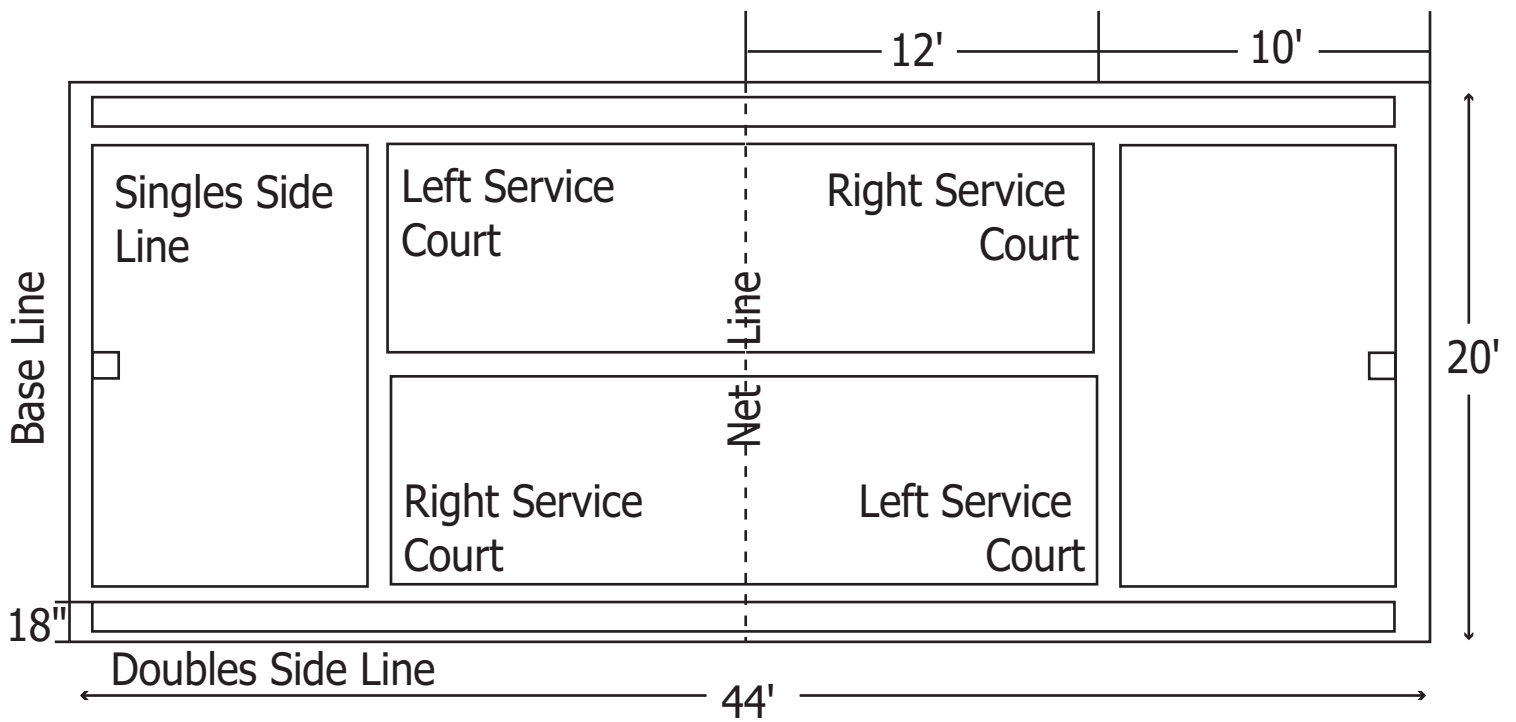


Note: The Service Court area is the same as shown in the Eastern Paddle Tennis Court Layout.

## Pickle-Ball Court Layout



## Action Tennis Court Layout



Note: There is no official lines for Soft Tennis (alias All Ball) which is played using a nerf style ball. The rules of Tennis are followed on the Action Tennis Court when Playing Soft Tennis.