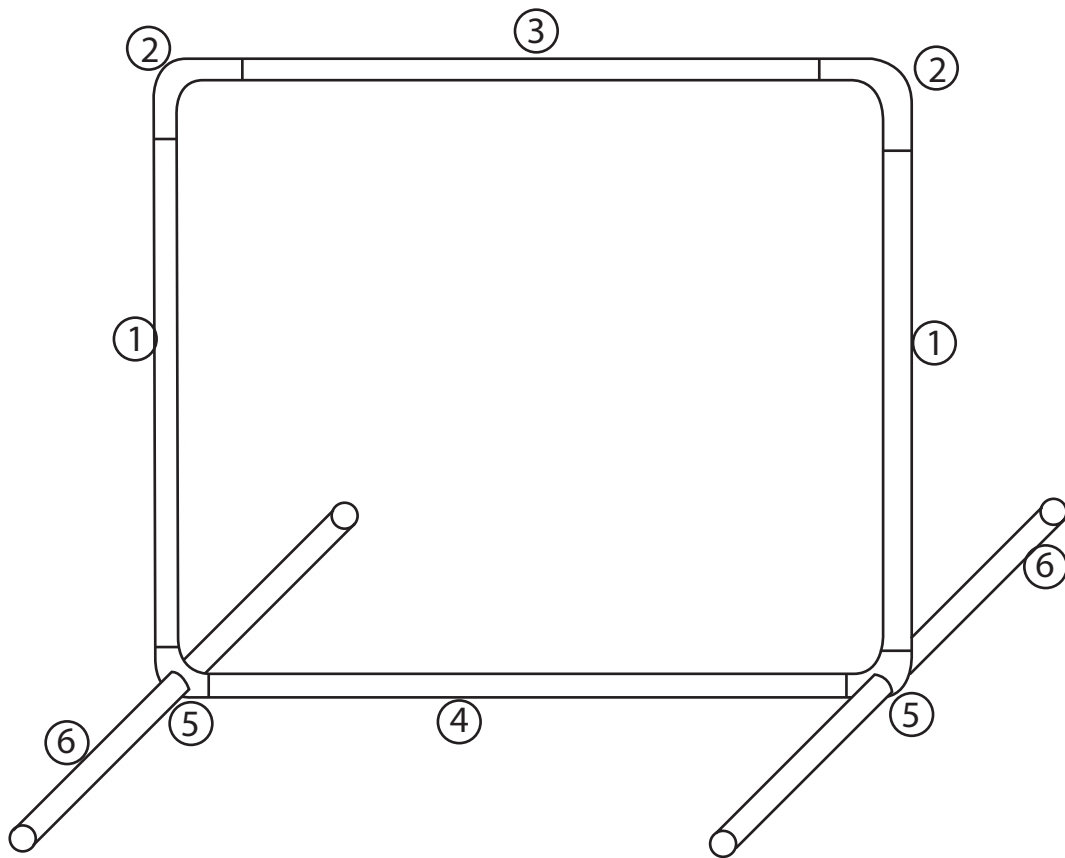


7' x 7' Protective Screen



Parts Lists:

- ① 2 - 72 1/8" with swag
- ② 2 - Elbow
- ③ 1 - 64" two swags
- ④ 1 - 80"
- ⑤ 2 - 21-7 Kee Klamp
- ⑥ 2 - 60"

1 - Hardware bag
4 - Black Rubber Cap
1 - 5/16" Hex Key Wrench

Required Tools:

2 - 7/16" wrench

Directions:

Assemble parts 1-5 on a flat surface. Raise and insert legs. Place rubber caps on legs and tighten hex keys on frame to secure legs. The two bottom corners of the net are marked with ties. Slip the net over the frame as you would a pillowcase beginning with the two bottom corners. You may lace the bottom of the net with the cord supplied, however this is optional.