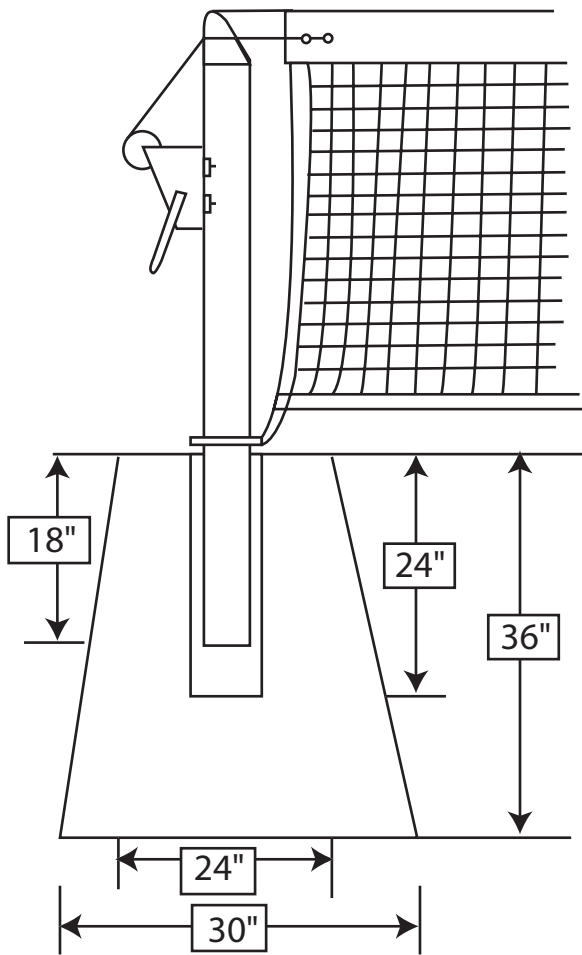


Instructions for Posts With Reel Tightener (SW-3)



This Package Contains:

- 2 - Tennis posts each 5 feet long with tennis post caps and adjustment collars with eye bolts.
- 2 - Ground sleeves each 2 feet long. (Item A on Diagram)
- 2 - Plastic ground sleeve plugs. (Item B on Diagram)
- 1 - Tennis post reel with snap hook in reel core. Removable handle and bolts w/ nuts and washers. (Item C in Diagram)
- 1 - Package of hardware including:
 - 2-bolts each 4 inches long
 - 2-lock washers
 - 4-nuts

Install as follows:

1. The clear distance between posts should be 42 feet for doubles courts or 33 feet for singles courts.
2. Anchor each post in a block of concrete as shown in the diagram. Pour the concrete into a bell-shaped hole 24 inches in diameter at the top and 30 inches in diameter at the bottom. Make the hole at least 36 inches deep.
3. While pouring the concrete hold the ground sleeve in place, plugged end down. Use a plumb line to set the sleeve pointing straight up. Let concrete dry.
4. Use long bolts and lock washers to attach the reel to the post. Then attach the reel handle to the reel.