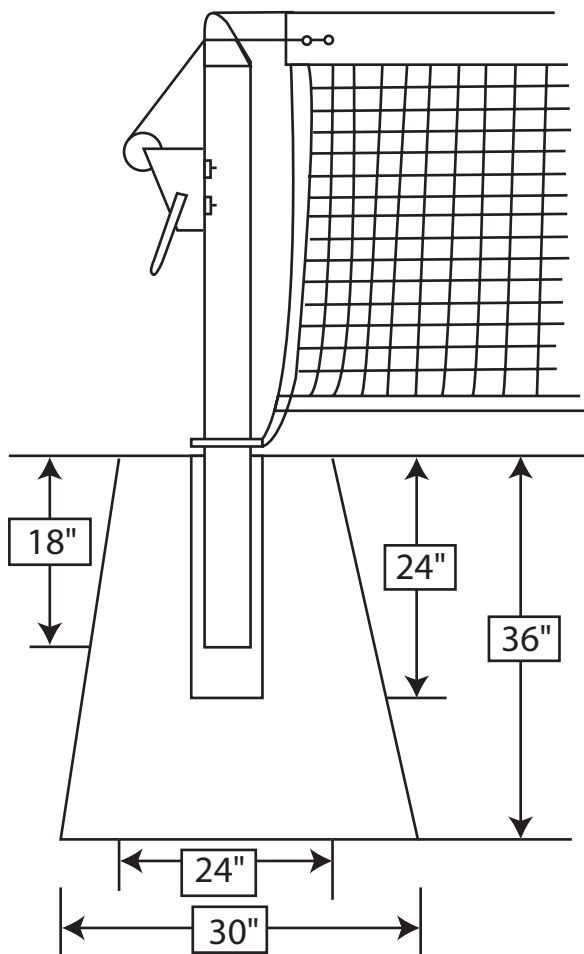


Instructions for Posts



Install as follows:

1. The clear distance between posts should be 42 feet for doubles courts or 36 feet for singles courts.
2. Anchor each post in a block of concrete as shown in the diagram. Pour the concrete into a bell-shaped hole 24 inches in diameter at the top and 30 inches in diameter at the bottom. Make the hole at least 36 inches deep.
3. While pouring the concrete hold the ground sleeve in place, plugged end down. Use a plumb line to set the sleeve pointing straight up. Let concrete dry.
4. The footing dimensions illustrated are approximate and may be varied in different regions according to local soil and frost conditions.