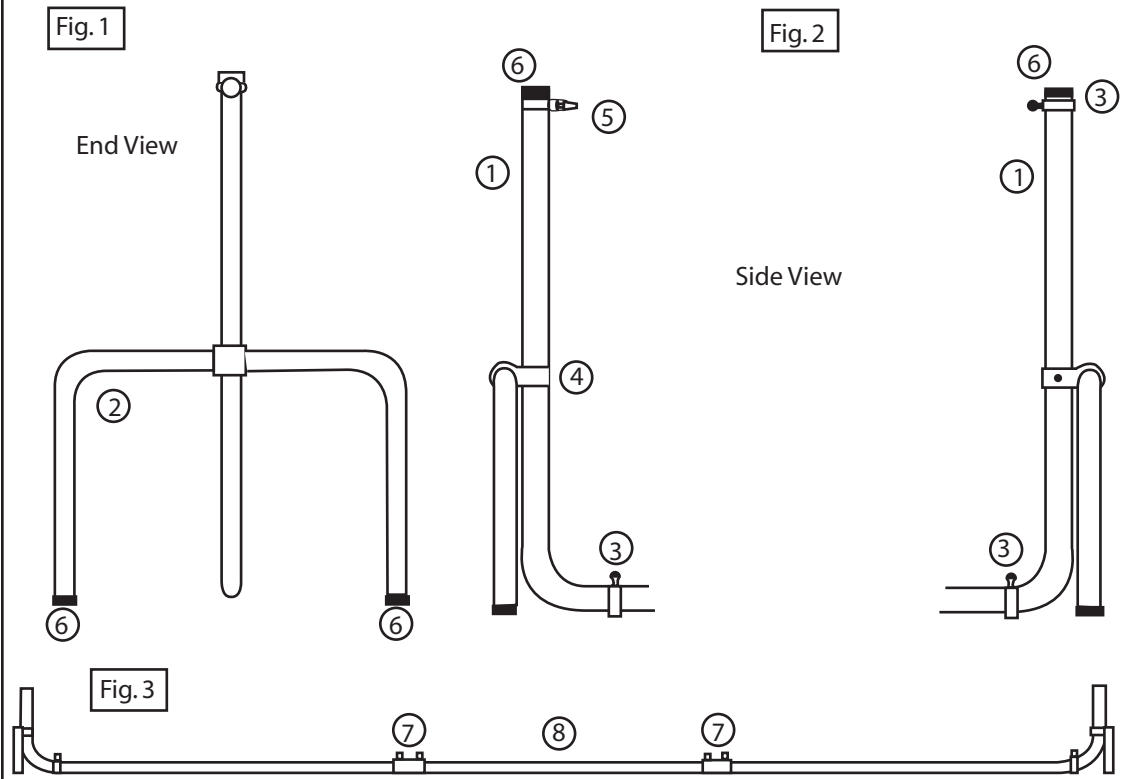


Parts List:

- ① 2- Post -1.9" o.d. 90 degree bend 42"x14'
- ② 2- Leg-1.9" o.d. two 90 degree bends 18"x24"
- ③ 3- Collar-2" i.d. with eyebolt
- ④ 2- Crossover Fitting (45-8)
- ⑤ 1- Collar with rope clamp & adjustable knob
- ⑥ 6- Black end caps
- ⑦ 2- Coupler Fitting
- ⑧ 1- Center Pipe- 1.9" o.d. x 14'
- 1- TN-10 net
- 1- Allen Wrench



Assembly Instructions

- Step 1 Take Crossover Fitting (ref #4), slide onto leg (ref #2) and center as shown (hex screw pointed upward). Tighten hex screw firmly to leg. Place black end plugs (ref # 6) to ends of leg as shown. Repeat Step 1 with other leg.
- Step 2 Slide bottom collar with eyebolt (ref # 3) over 90 degree post. Tighten eyebolt against post as shown. Repeat for other side.
- Step 3 Slide Crossover Fitting of leg assembly (Step 1) over top of post (ref #1) and tighten hex screw when bottom of post is slightly higher than surface. Repeat for other post assembly.
- Step 4 Slide collar with rope clamp (ref #5) over end of post as shown in Fig 1. Tighten at 42" above the surface. Place Black end cap (ref #6) on end of post.
- Step 5 Slide collar with eyebolt (ref #3) over end of other post as shown in Fig2. Tighten at 42" above surface. Place black end cap (ref # 6) on end of posts.
- Step 6 Connect the post assemblies together as shown in Fig 3 using coupler fittings (ref #7) and the connecting bar (ref #8). Tighten all bolts of the couplers to posts.
- Step 7 Install net by tying top net rope to top eyebolt and bottom of net to bottom eyebolt. Center net on post standard and run untied rope until center of net is 36" from surface. Tie bottom of net to bottom eyebolt.
- Step 8 Play Tennis!