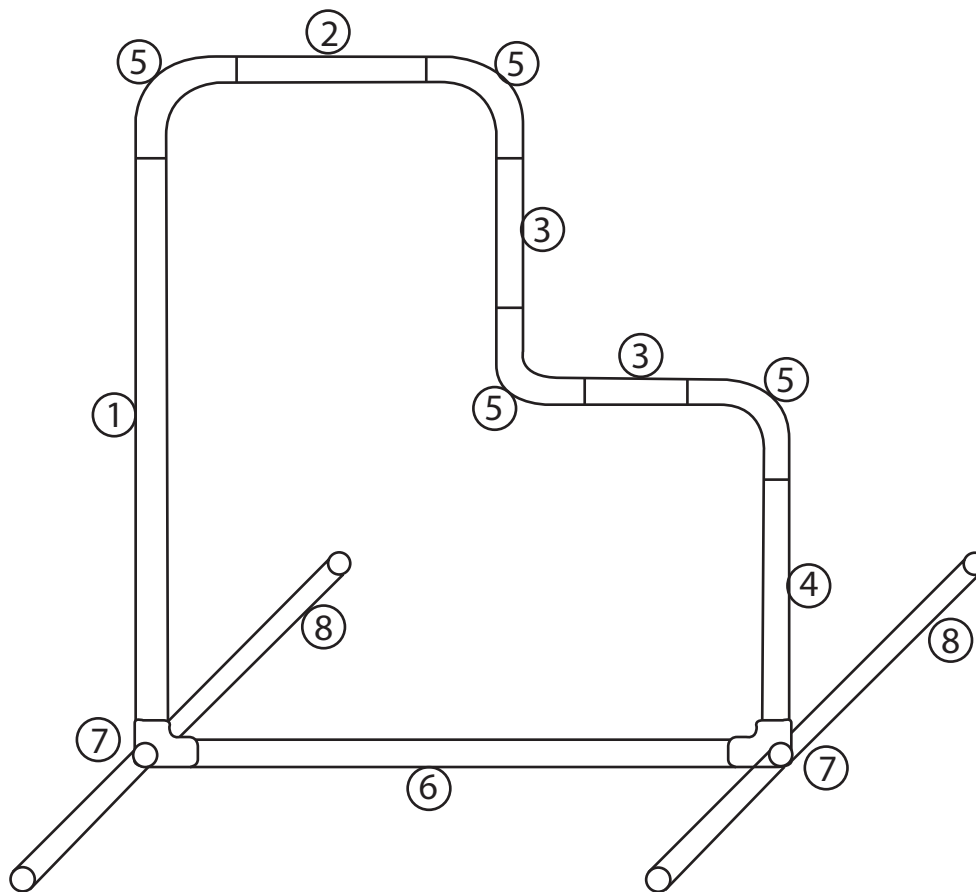


L-Screen 7' x 7'



Parts Lists:

- ① 1 - 72 1/8" with swag
- ② 1 - 28 1/4" with two swags
- ③ 2 - 18 19/16" with two swags
- ④ 1 - 36 3/16" with swag
- ⑤ 4 - Elbow
- ⑥ 1 - 80"
- ⑦ 2 - 21-7 Kee Klamp
- ⑧ 2 - 60"
 - 1 - Hardware bag
 - 4 - Black Rubber Cap
 - 1 - 5/16" Hex Key Wrench

Directions:

Assemble parts 1-7 on a flat surface. Once completed, lace net (if necessary) on frame before raising and inserting legs. When lacing net to frame, tie corners of the net to the frame first and use short pieces of lacing cord instead of one long piece around perimeter. Lace net approximately every 3 mesh.

Required Tools:

- 2 - 7/16" wrench