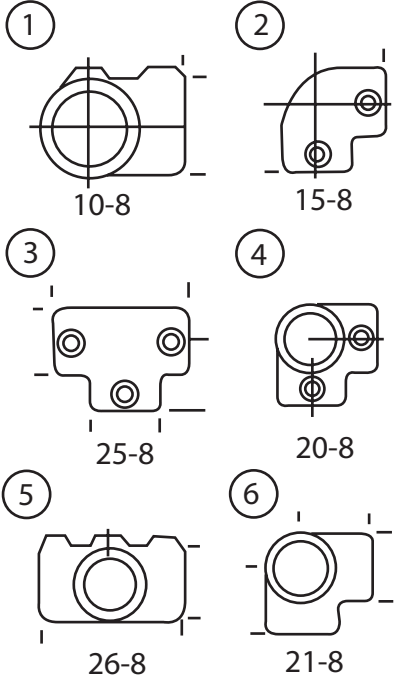




INSTALLATION INSTRUCTIONS

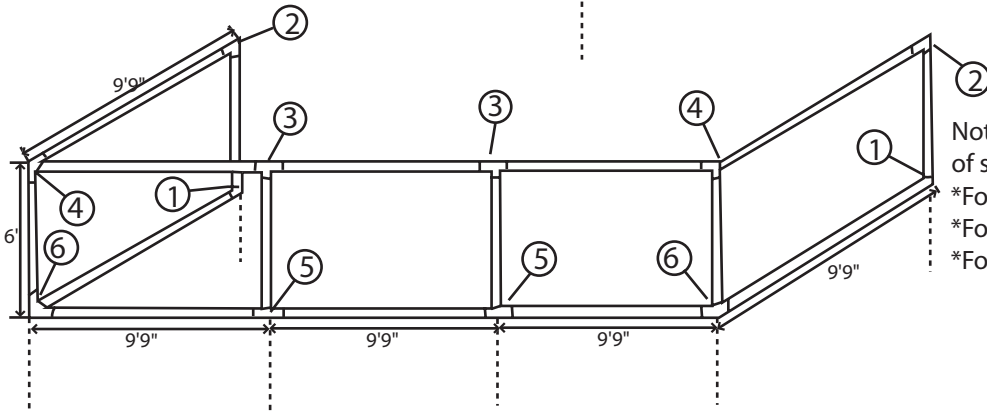
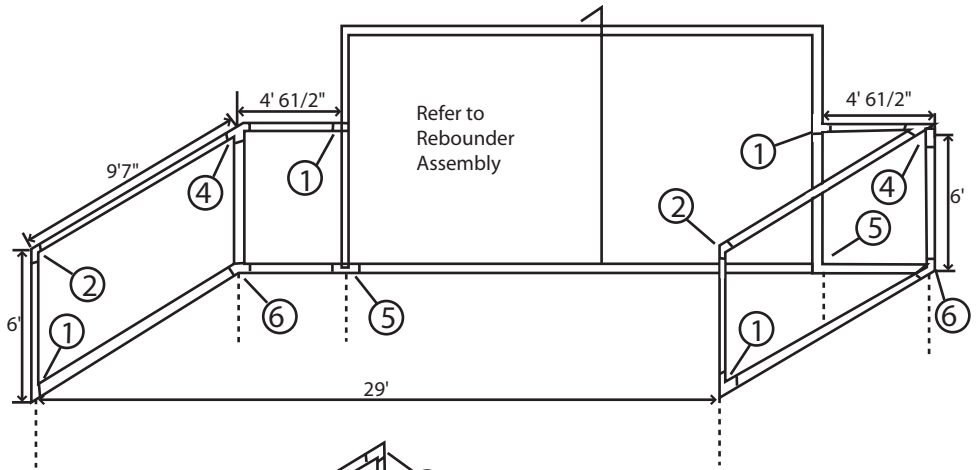
Fence System Assembly

30' Wide

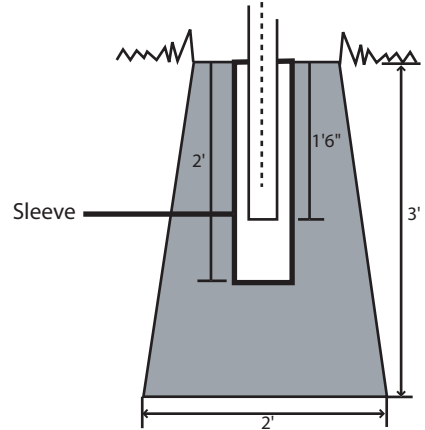
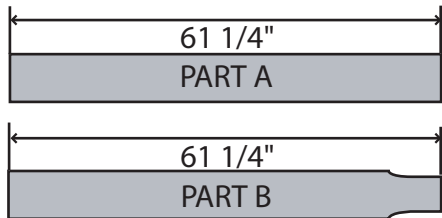


Parts List:

18	A- 61 1/4" o.d. Tubes	4	25-8 Kee Klamp
24	B- 58 3/4" o.d. Tubes	4	26-8 Kee Klamp
10	D- 31 1/4" o.d. Tubes	4	WDN-420 6' x 9'7"
4	10-8 Kee Klamp	2	WDN-420 6' x 4'6"
4	15-8 Kee Klamp	1	WDN-420 6' x 29'
4	20-8 Kee Klamp	1	600' Spool BNC
4	21-8 Kee Klamp	10	2" i.d. Ground Sleeves



Note: Measurements are center of sleeve to center of sleeve
 *For 9'9" lengths use Posts A & B and cut to length
 *For 7'6" lengths use B & D
 *For 4'61/2" use A



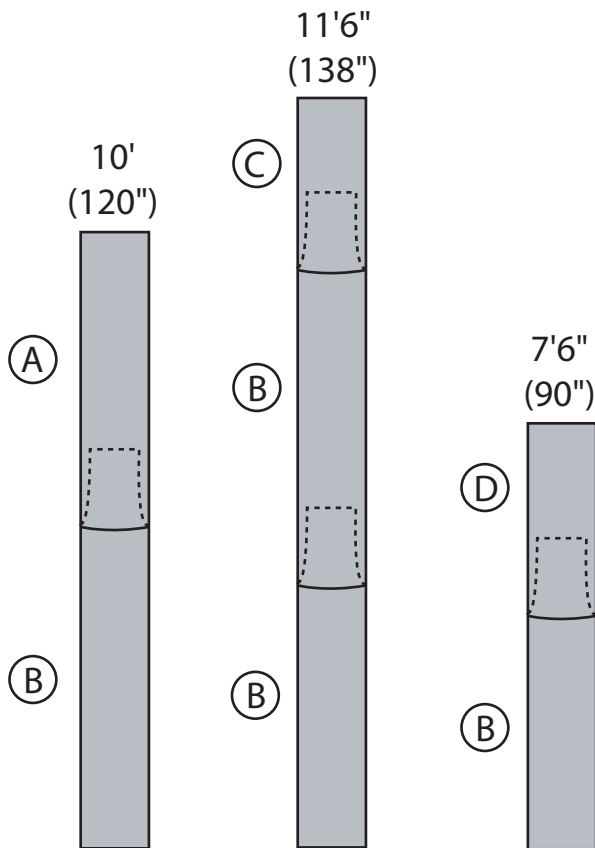
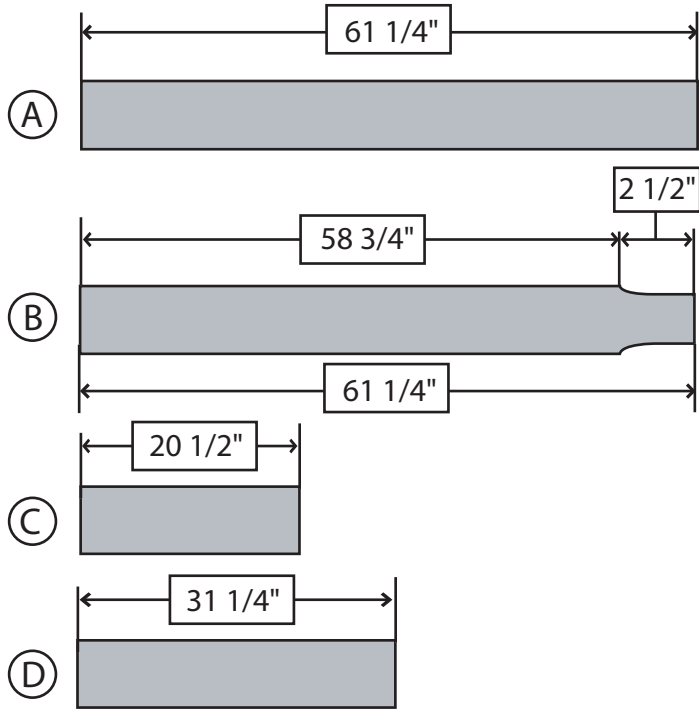
Manufactured by Douglas Industries, Inc.



INSTALLATION INSTRUCTIONS

Fence System

x 16 GAGE



Manufactured by Douglas Industries, Inc.